

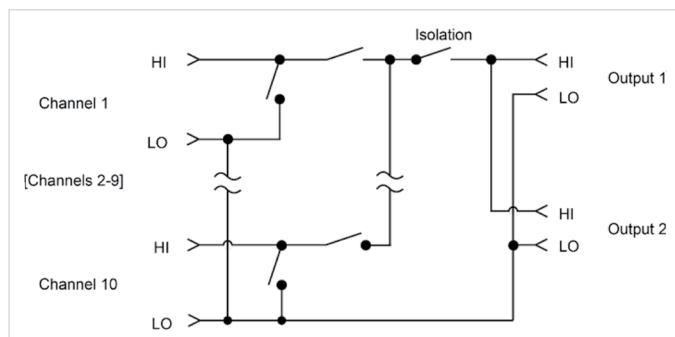
## 3761 10-Channel Low Current Multiplexer Card

### DATA SHEET



The 3761 provides quality low-current switching at an affordable price. The offset current error generated is specified  $<1$  pA, with typical performance at  $<30$  fA. When used with a voltage source and an electrometer or picoammeter, this card can easily automate insulation resistance tests, reverse leakage tests on semiconductor junctions, or gate leakage tests on FETs.

The 3761 features both current and voltage modes. In current mode, the current path is maintained even when the channel is open. This eliminates cable charging time between measurements. In voltage mode, the input is broken and is high impedance. Input connectors are SMA for shielding of the sensitive measurements. An SMA male to BNC male cable (3761-BNC-SMA) is available for compatibility with existing 7158 configurations and with Keithley accessory cables such as the 4801 and 4803. The 3761 does not connect to the 6 common buses on the 3706A backplane, but two outputs are provided to allow for chaining several scanner cards to one measurement instrument, allowing up to 60 channels, while an isolation relay in the output HI minimizes interaction between cards.



### Specifications

<b>Channels Per Card</b>	10.
<b>Contact Configuration</b>	Form A. Signal LO is common for all 10 channels and output. When open, signal HI is shorted to signal LO in current mode. When open, signal HI is high impedance in voltage mode.
<b>Connector Type</b>	SMA.
<b>Relay Drive Current</b>	16 mA/relay typ.
<b>Maximum Signal Level</b>	30 V, 100 mA peak (resistive load).
<b>Contact Life</b>	$>10^6$ closures at maximum signal levels; $>10^7$ closures cold switching or at low signal levels.
<b>Contact Resistance</b>	$<1 \Omega$ .
<b>Contact Potential</b>	$<200$ $\mu$ V.
<b>Offset Current</b>	$<1$ pA ( $<30$ fA typical).
<b>3dB Bandwidth</b>	1 MHz typical.
<b>Actuation Time</b>	$<1$ ms, exclusive of mainframe.
<b>Channel Isolation</b>	$>10^{14} \Omega$ , $<50$ pF.
<b>Common Mode Isolation</b>	$>10^9 \Omega$ , $<150$ pF.
<b>Common Mode Voltage</b>	$<30$ V maximum.

### Available Accessories

<b>3761-BNC-SMA</b>	SMA to BNC Cable
<b>4801</b>	Low Noise Male to Male BNC Cable

### Available Services

<b>-3761-3Y-EW</b>	1 year factory warranty extended to 3 years from date of shipment
<b>-3761-5Y-EW</b>	1 year factory warranty extended to 5 years from date of shipment

## Contact Information:

Australia 1 800 709 465  
Austria\* 00800 2255 4835  
Balkans, Israel, South Africa and other ISE Countries +41 52 675 3777  
Belgium\* 00800 2255 4835  
Brazil +55 (11) 3530-8901  
Canada 1 800 833 9200  
Central East Europe / Baltics +41 52 675 3777  
Central Europe / Greece +41 52 675 3777  
Denmark +45 80 88 1401  
Finland +41 52 675 3777  
France\* 00800 2255 4835  
Germany\* 00800 2255 4835  
Hong Kong 400 820 5835  
India 000 800 650 1835  
Indonesia 007 803 601 5249  
Italy 00800 2255 4835  
Japan 81 (3) 6714 3086  
Luxembourg +41 52 675 3777  
Malaysia 1 800 22 55835  
Mexico, Central/South America and Caribbean 52 (55) 88 69 35 25  
Middle East, Asia, and North Africa +41 52 675 3777  
The Netherlands\* 00800 2255 4835  
New Zealand 0800 800 238  
Norway 800 16098  
People's Republic of China 400 820 5835  
Philippines 1 800 1601 0077  
Poland +41 52 675 3777  
Portugal 80 08 12370  
Republic of Korea +82 2 565 1455  
Russia / CIS +7 (495) 6647564  
Singapore 800 6011 473  
South Africa +41 52 675 3777  
Spain\* 00800 2255 4835  
Sweden\* 00800 2255 4835  
Switzerland\* 00800 2255 4835  
Taiwan 886 (2) 2656 6688  
Thailand 1 800 011 931  
United Kingdom / Ireland\* 00800 2255 4835  
USA 1 800 833 9200  
Vietnam 12060128

\* European toll-free number. If not accessible, call: +41 52 675 3777

Rev. 02.2022



Find more valuable resources at [TEK.COM](http://TEK.COM)

Copyright © Tektronix. All rights reserved. Tektronix products are covered by U.S. and foreign patents, issued and pending. Information in this publication supersedes that in all previously published material. Specification and price change privileges reserved. TEKTRONIX and TEK are registered trademarks of Tektronix, Inc. All other trade names referenced are the service marks, trademarks or registered trademarks of their respective companies.

120123 SBG 1KW-61244-0

