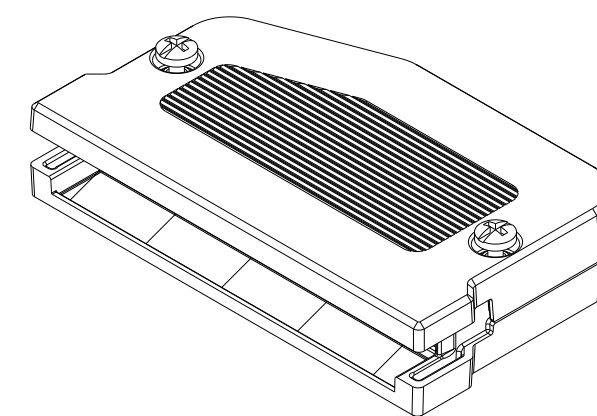
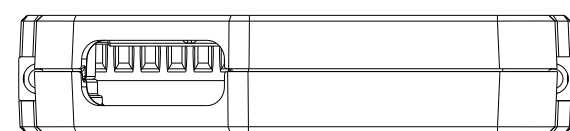
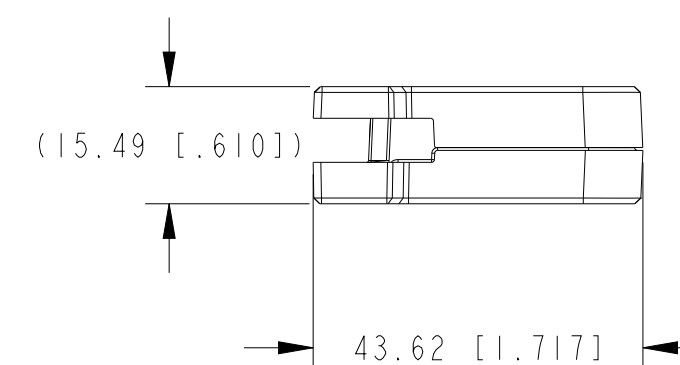
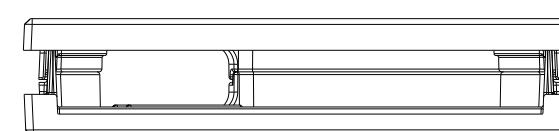
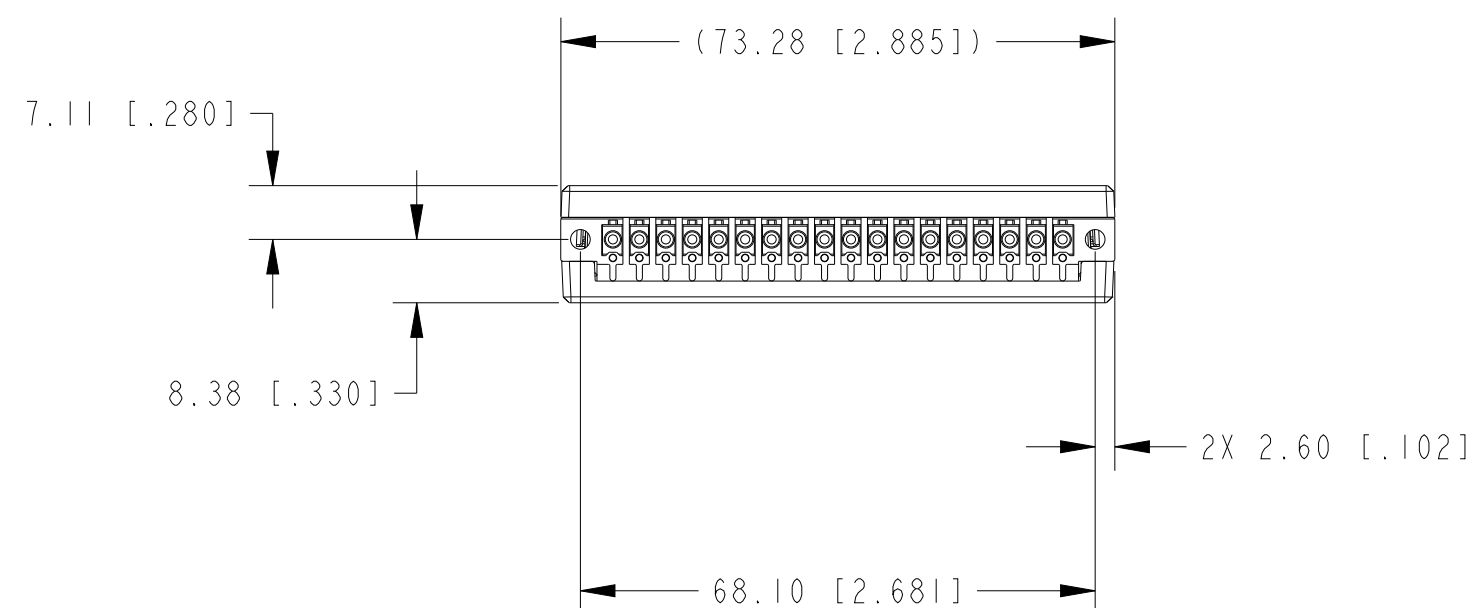
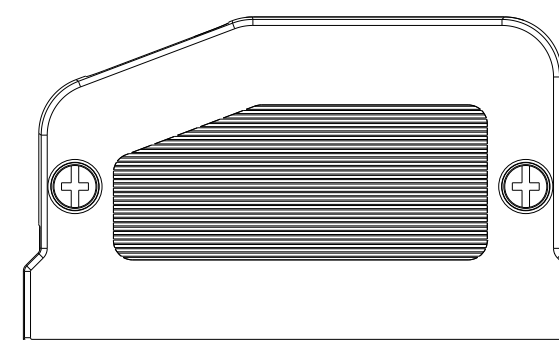
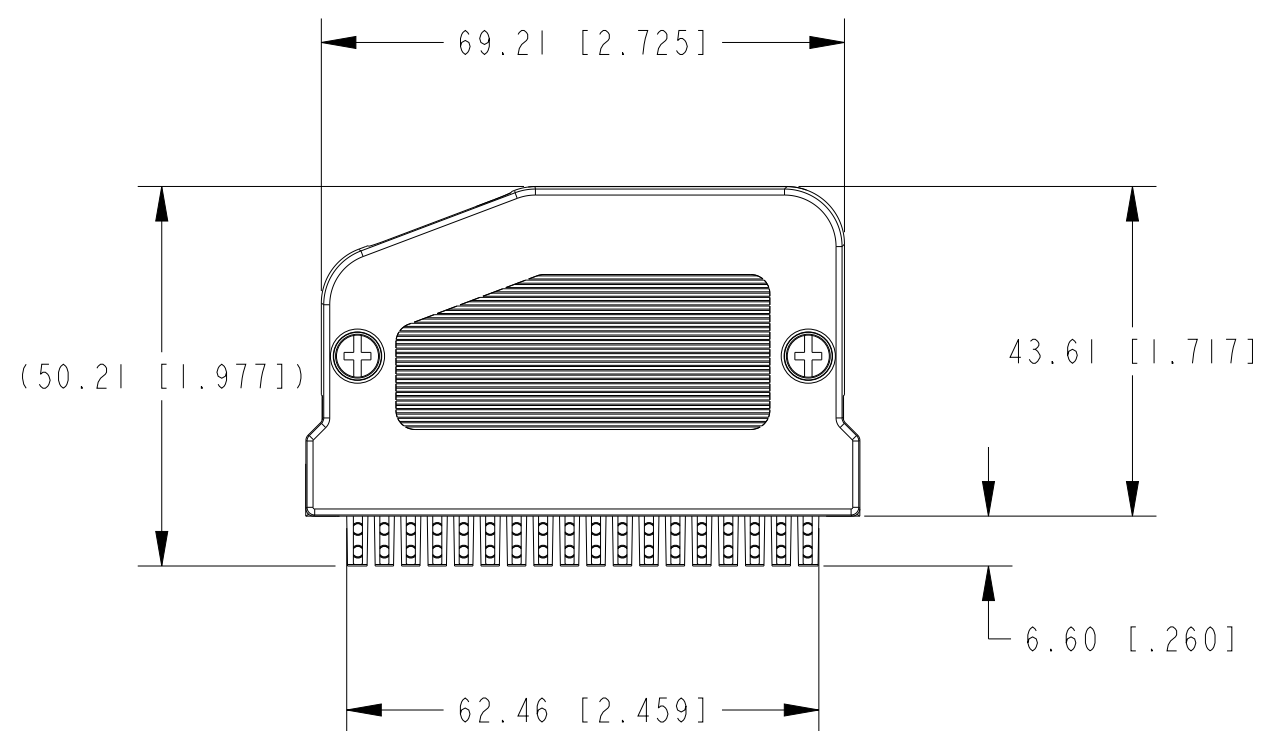


ISOMETRIC VIEW  
 WITH 18POS CONNECTOR



ISOMETRIC VIEW  
 BACKSHELL ONLY



METRIC

CUSTOMER DRAWING

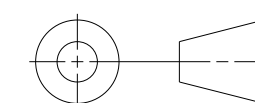
UNLESS OTHERWISE SPECIFIED  
 DIMENSIONS ARE IN MILLIMETERS  
 AND [INCHES]

**NATIONAL INSTRUMENTS®** AUSTIN, TEXAS

DO NOT SCALE DRAWING

TITLE  
 NI 9928  
 FOR 18-POS SCREW TERMINAL

THIRD ANGLE PROJECTION



SIZE CODE IDENT NO. MM/DD/YYYY  
 C7U296 03/21/2019

SCALE: 1/1 SHEET 1 OF 1

2. DIMENSIONS IN ( ) ARE FOR REFERENCE ONLY.  
 1. REFER TO PRODUCT MANUAL ON NI.COM FOR MORE DETAILS  
 NOTES: UNLESS OTHERWISE SPECIFIED.