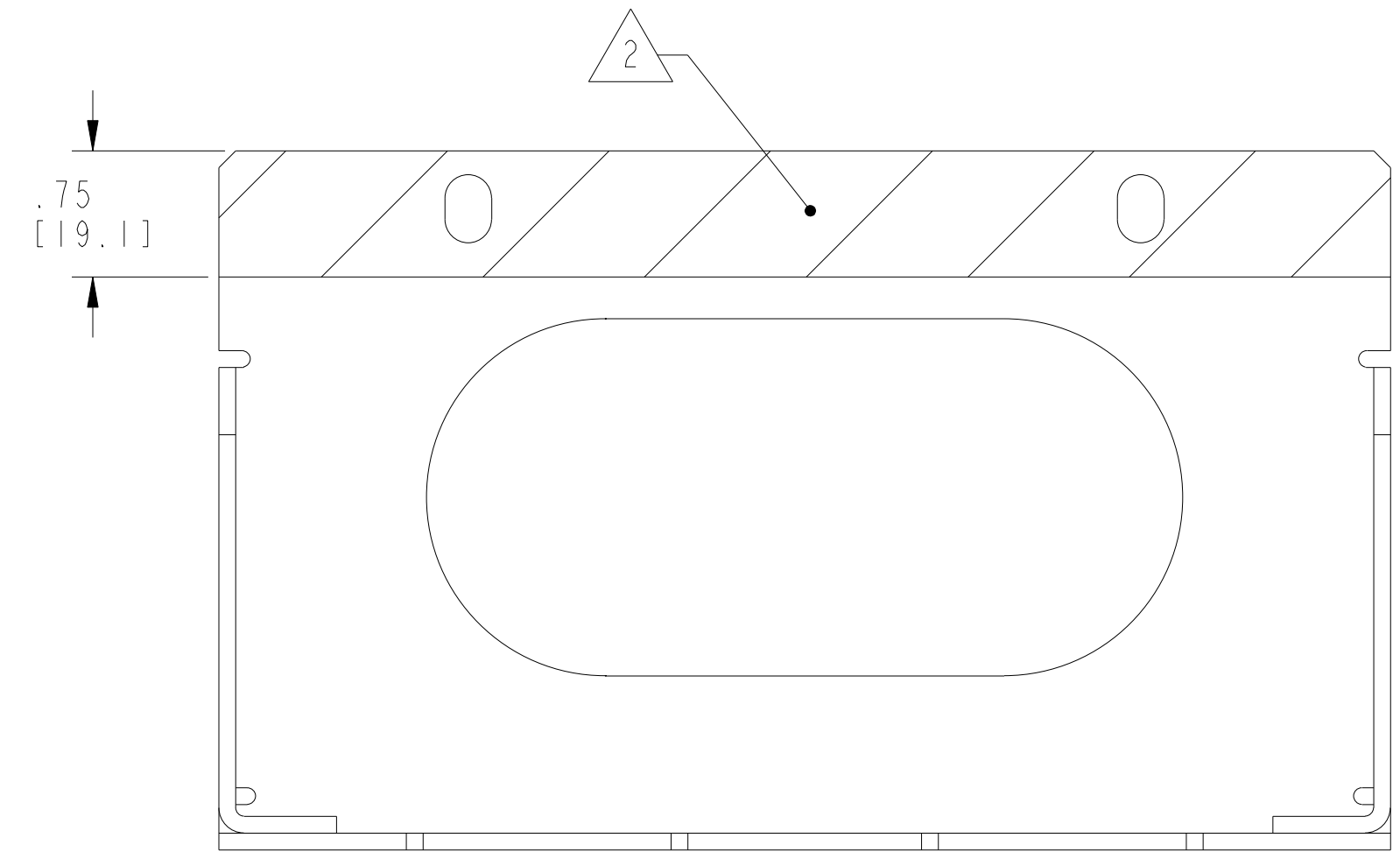
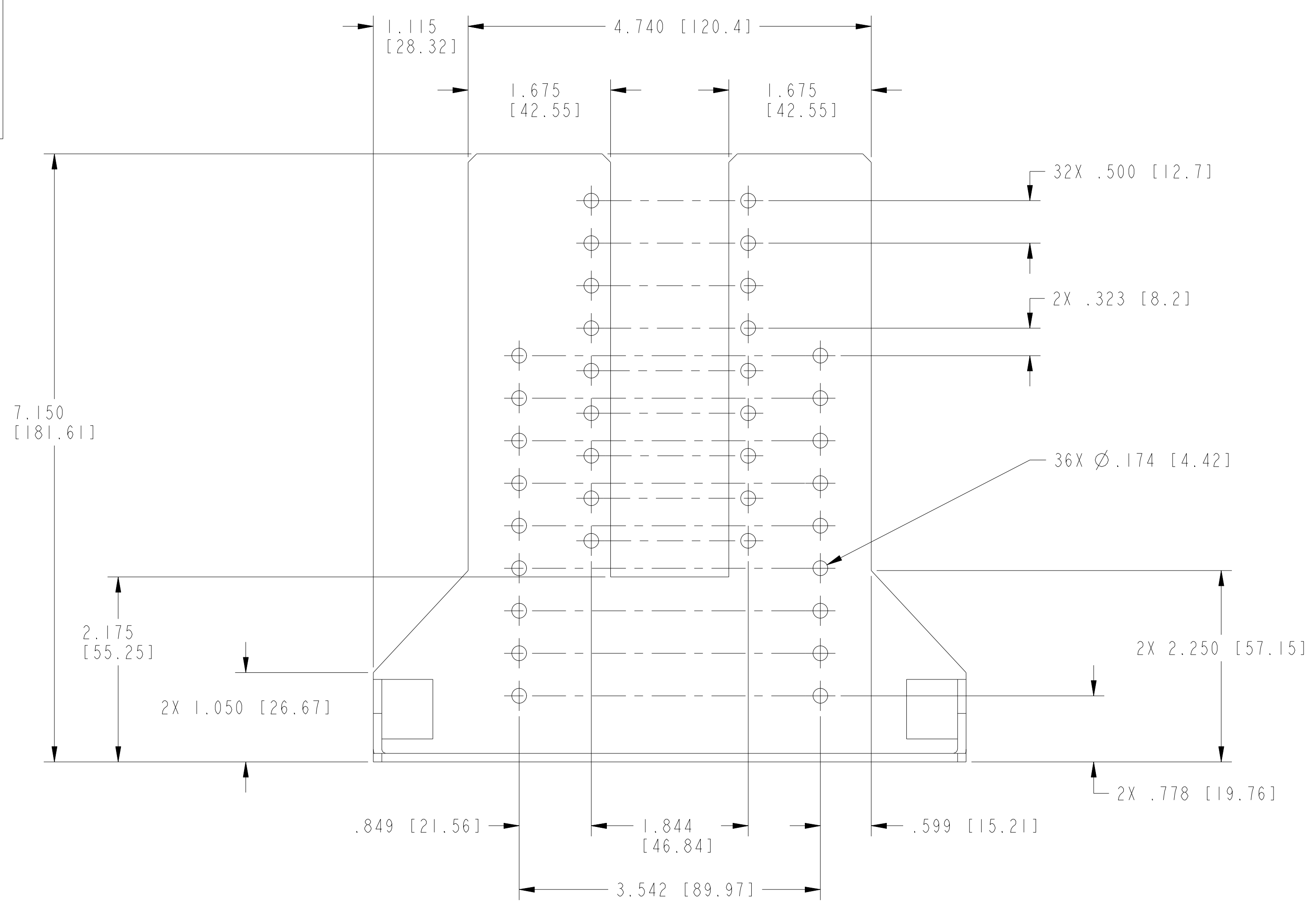


This document contains confidential and proprietary information which is the property of National Instruments Corporation. This proprietary information is supplied to the possessor pursuant to the possessor's agreement to do the following:

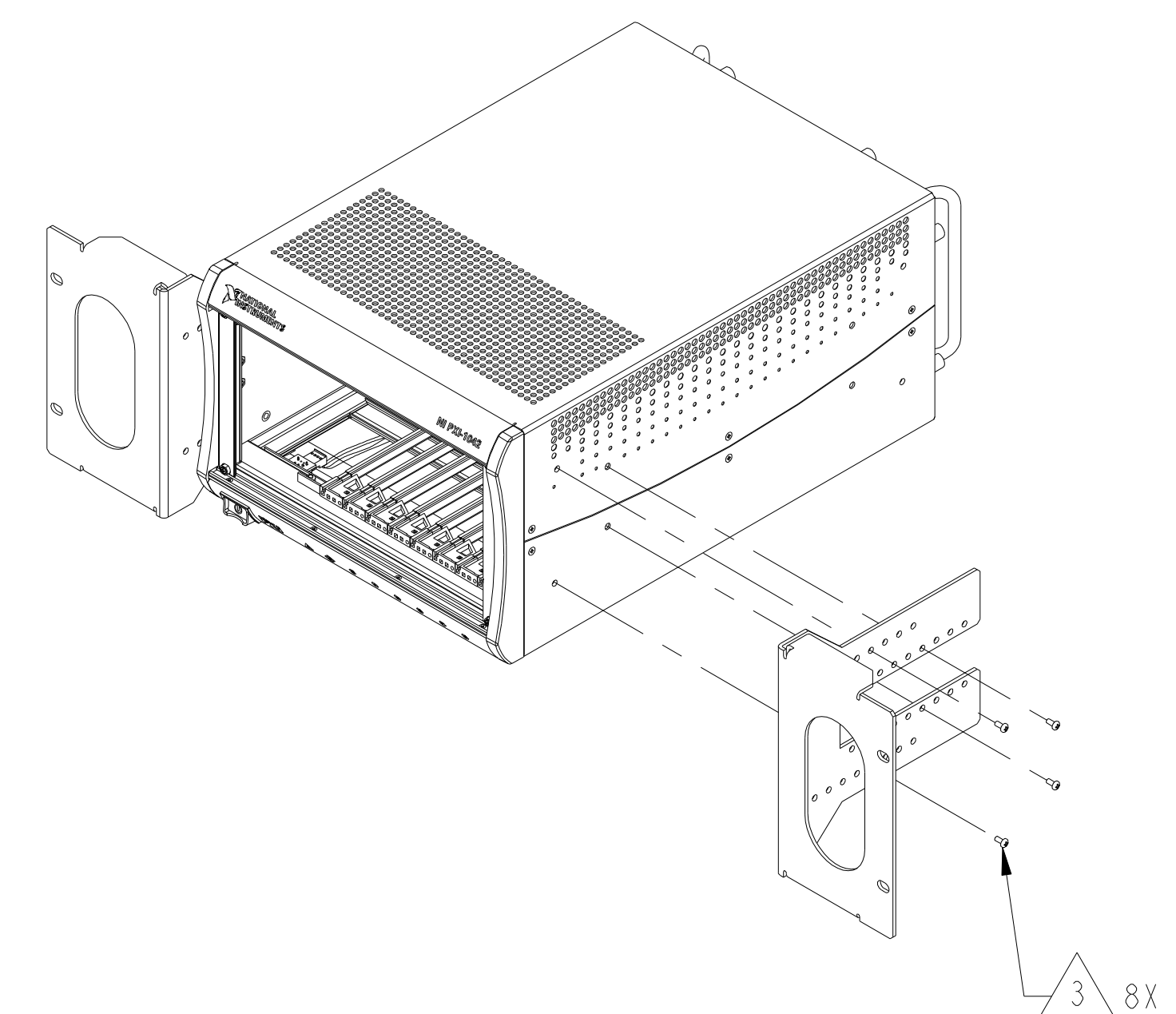
1. to maintain this document in confidence;
2. not to reproduce, publish or copy it in whole or in part without written permission; and
3. not to use this document as a basis for the manufacture or sale of goods without written permission.

© COPYRIGHT 2002
NATIONAL INSTRUMENTS CORPORATION. ALL RIGHTS RESERVED.

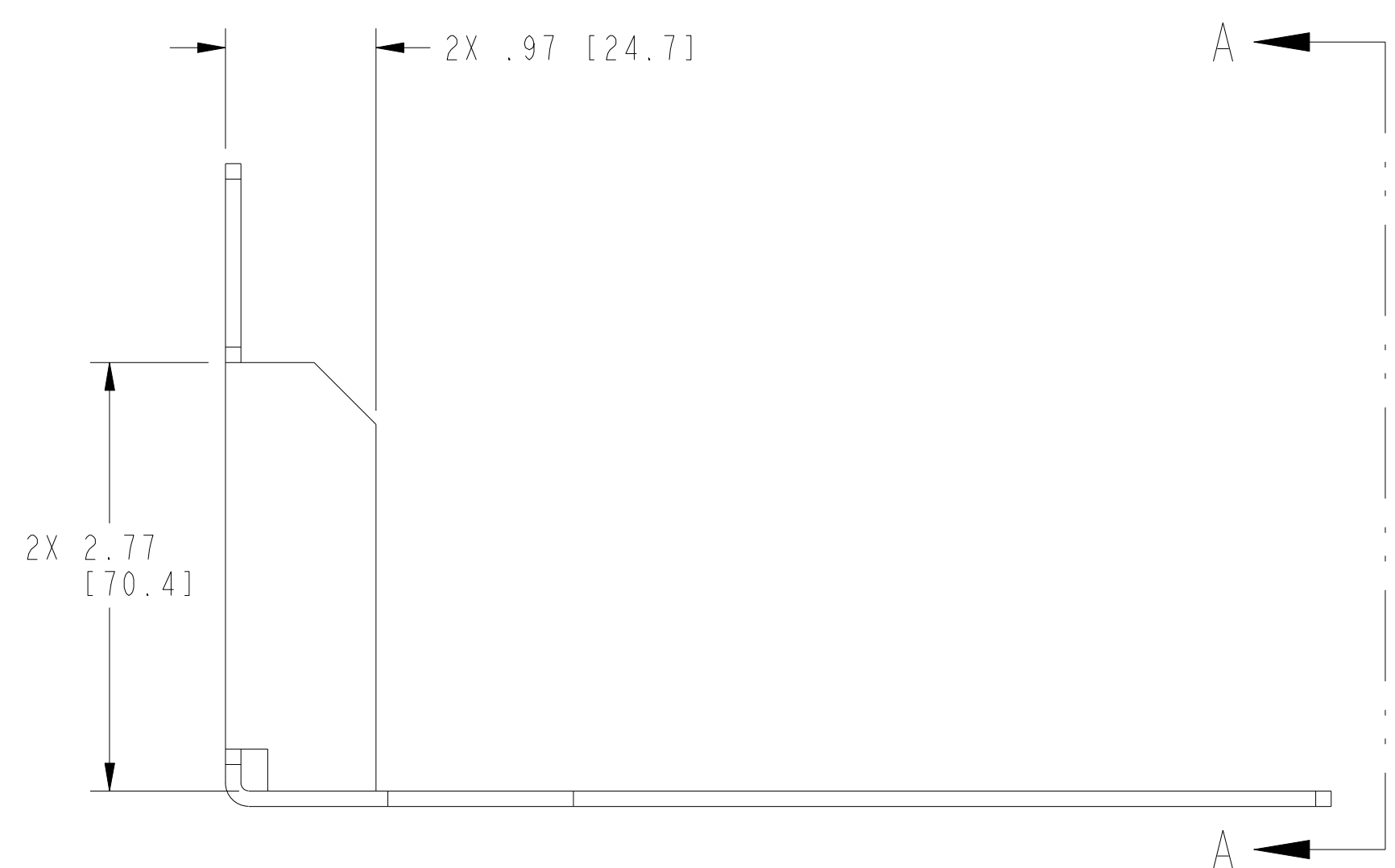
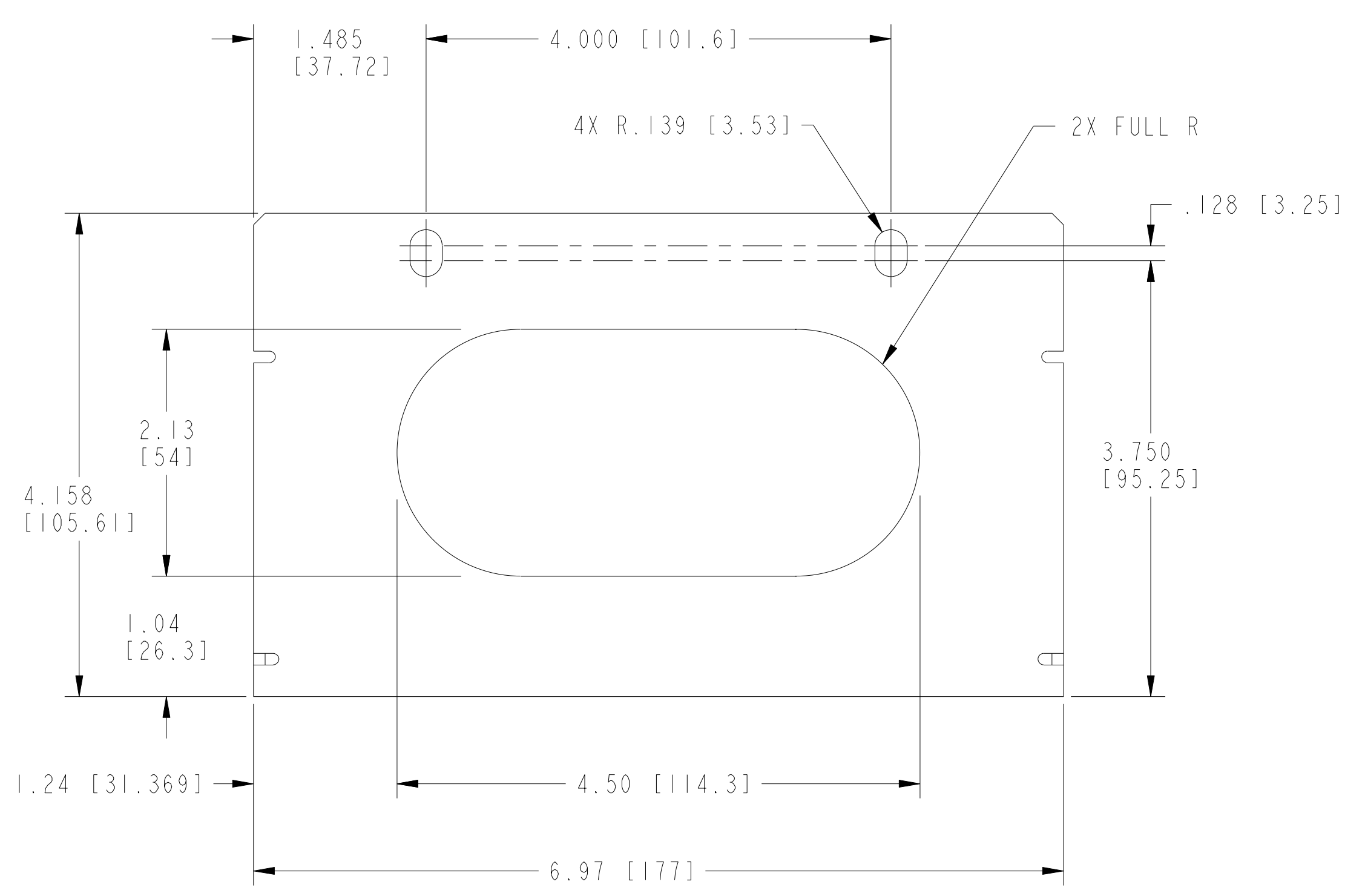
REVISIONS	
REV	DESCRIPTION
1	REFER TO DATABASE FOR DRAWING STATUS



VIEW A-A

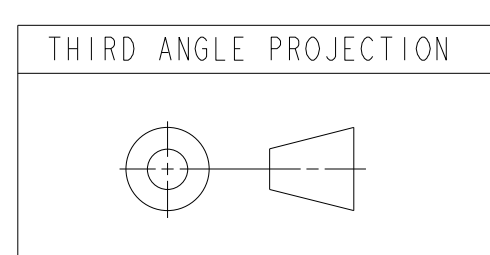


INSTALLATION DETAIL
SCALE: NONE



CUSTOMER DRAWING

- 3 MOUNTING HARDWARE PROVIDED WITH RACK MOUNT KIT.
 - 2 HATCHED AREA SHALL BE KEPT FREE FROM PAINT.
 - 1 ALL SURFACES PAINTED NI WHITE PER NI SPECIFICATION 279900A-01.
- NOTES: UNLESS OTHERWISE SPECIFIED.



UNLESS OTHERWISE SPECIFIED, DIMENSIONS ARE IN INCHES AND (MILLIMETERS) TOLERANCES ARE:
.XX TO .X) ±.01 (0.3) ANGLES:
.XXX (0.XX) ±.005 (0.13) ±2°
DO NOT SCALE DRAWING

MATERIAL
12 GAGE (.105 [2.67])
COLD-ROLLED STEEL

FINISH
1

DESIGN TEAM	
DRAWN J. TALBOTT	12/19/02
CHECKER	
MECHANICAL ENGINEER R. BALDWIN	

		AUSTIN, TEXAS	
TITLE			
FRONT RACK MOUNT KIT, PX1-1042			
SIZE	CODE	IDENT NO.	DRAWING NO.
D	7U296		CD_189361-01
SCALE:	1/1	SHEET 1 OF 1	