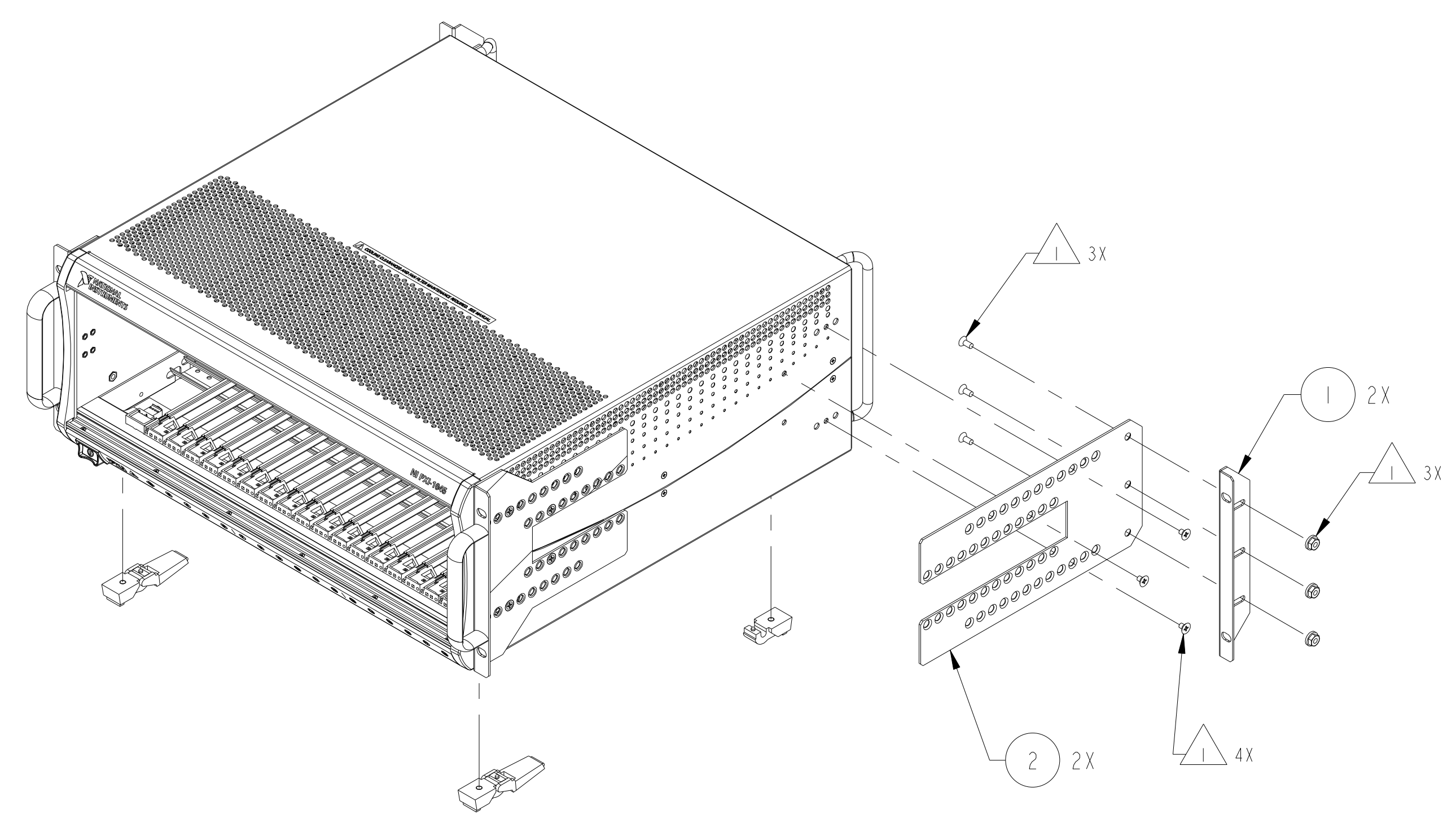


This document contains confidential and proprietary information which is the property of National Instruments Corporation. This proprietary information is supplied to the possessor pursuant to the possessor's agreement to do the following:

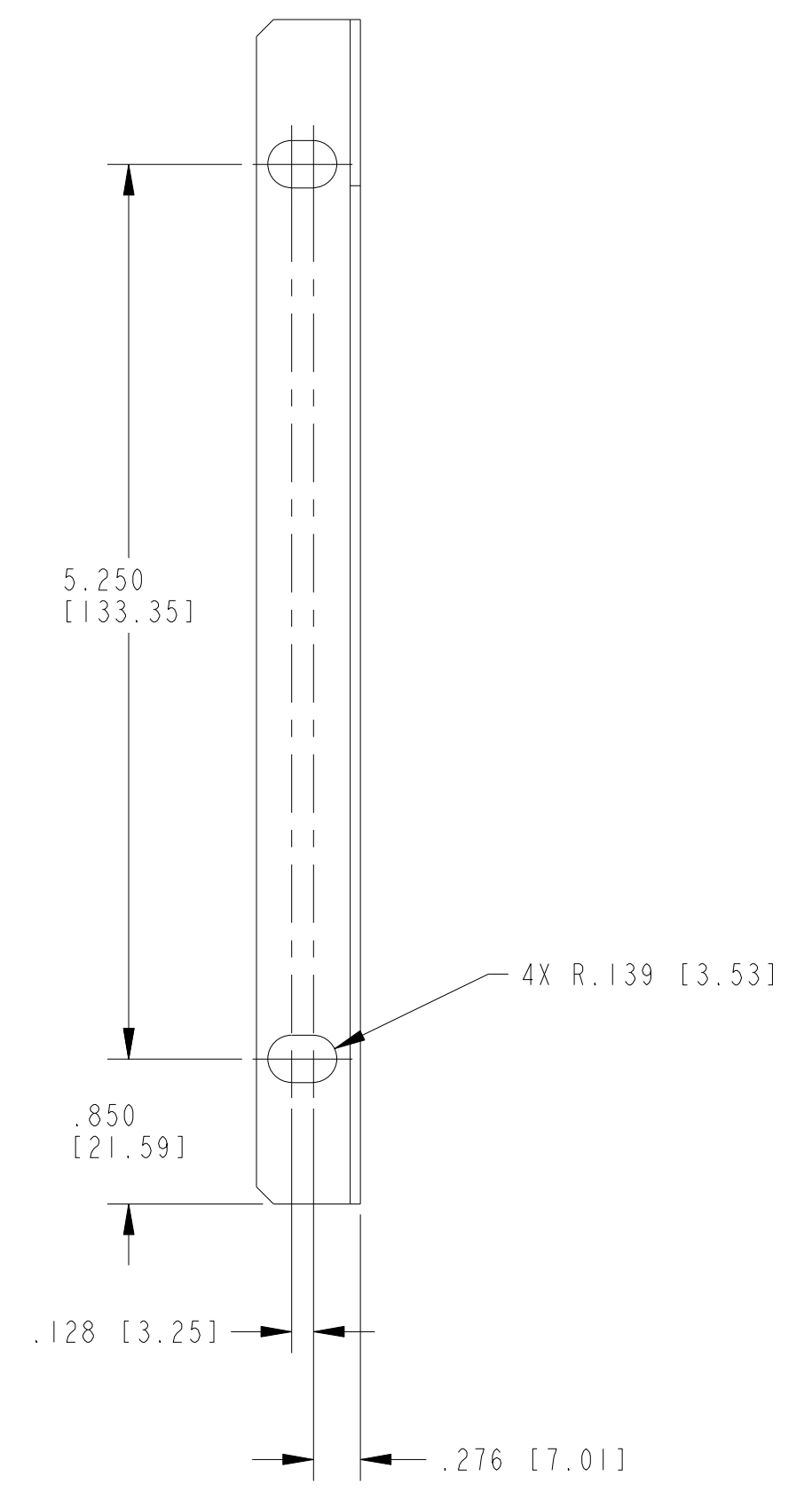
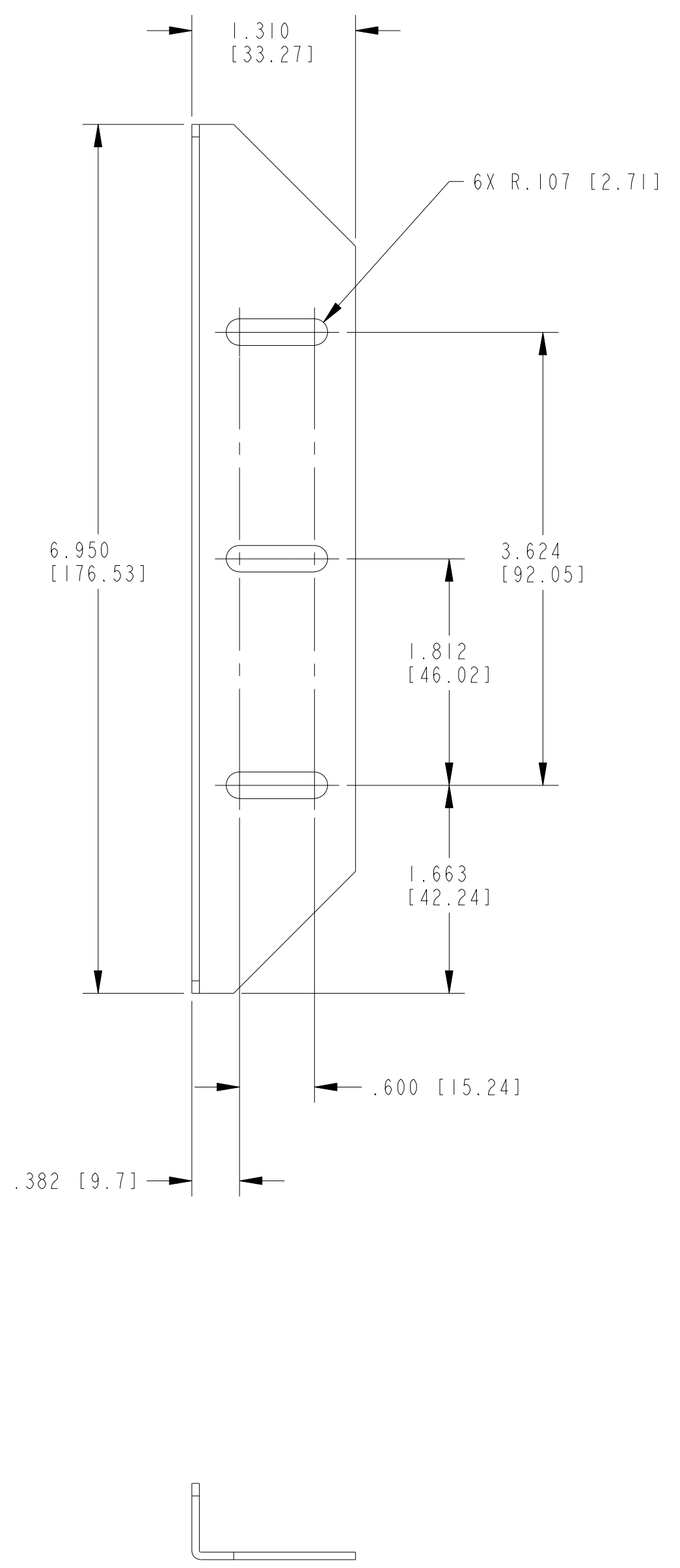
1. to maintain this document in confidence;
2. not to reproduce, publish or copy it in whole or in part without written permission; and
3. not to use this document as a basis for the manufacture or sale of goods without written permission.

© COPYRIGHT 2004  
NATIONAL INSTRUMENTS CORPORATION. ALL RIGHTS RESERVED.

REVISION HISTORY IS CONTROLLED IN AN ELECTRONIC DATABASE. CONTACT NI FOR REVISION DETAILS IF NEEDED.



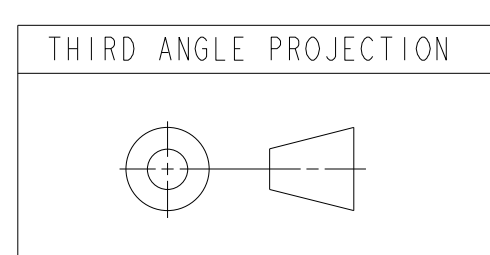
INSTALLATION DETAIL  
SCALE: 3/10



1 L-BRACKET

CUSTOMER DRAWING

1 MOUNTING HARDWARE PROVIDED WITH RACK MOUNT KIT.  
NOTES: UNLESS OTHERWISE SPECIFIED.



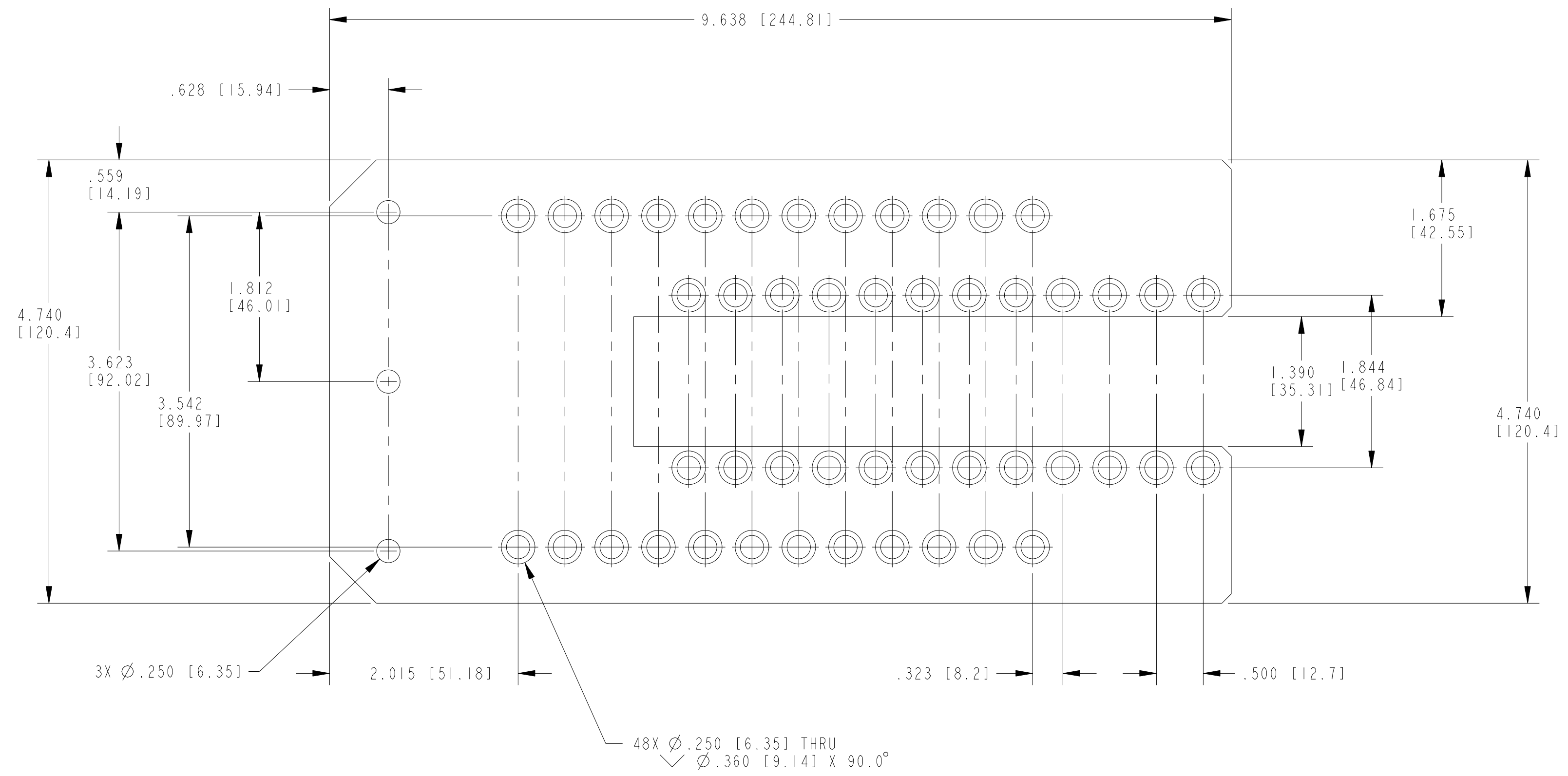
UNLESS OTHERWISE SPECIFIED DIMENSIONS ARE IN INCHES AND [MILLIMETERS] TOLERANCES ARE: .XX [0.X]±.02 [0.5] ANGLES: .XXX [0.XX]±.010 [0.25] ±2° DO NOT SCALE DRAWING	DESIGN TEAM		 AUSTIN, TEXAS TITLE <b>REAR RACK MOUNT KIT, PXI-1045</b>
	DRAWN D. CROWDER	03/11/04	
MATERIAL COLD-ROLLED STEEL	FINISH NICKEL PLATE		SIZE CODE IDENT NO. DRAWING NO. REV D 7U296 CD_190303-01 1 SCALE: 1/1 SHEET 1 OF 2

CD\_190303-01

This document contains confidential and proprietary information which is the property of National Instruments Corporation. This proprietary information is supplied to the possessor pursuant to the possessor's agreement to do the following:

1. to maintain this document in confidence;
2. not to reproduce, publish or copy it in whole or in part without written permission; and
3. not to use this document as a basis for the manufacture or sale of goods without written permission.

© COPYRIGHT 2004  
NATIONAL INSTRUMENTS CORPORATION. ALL RIGHTS RESERVED.



2 PLATE

SIZE	CODE	IDENT NO.	DRAWING NO.	REV
D	7U296	CD_190303-01	1	1
SCALE: 1/1			SHEET 2 OF 2	