
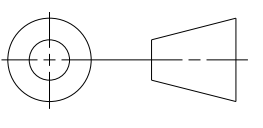
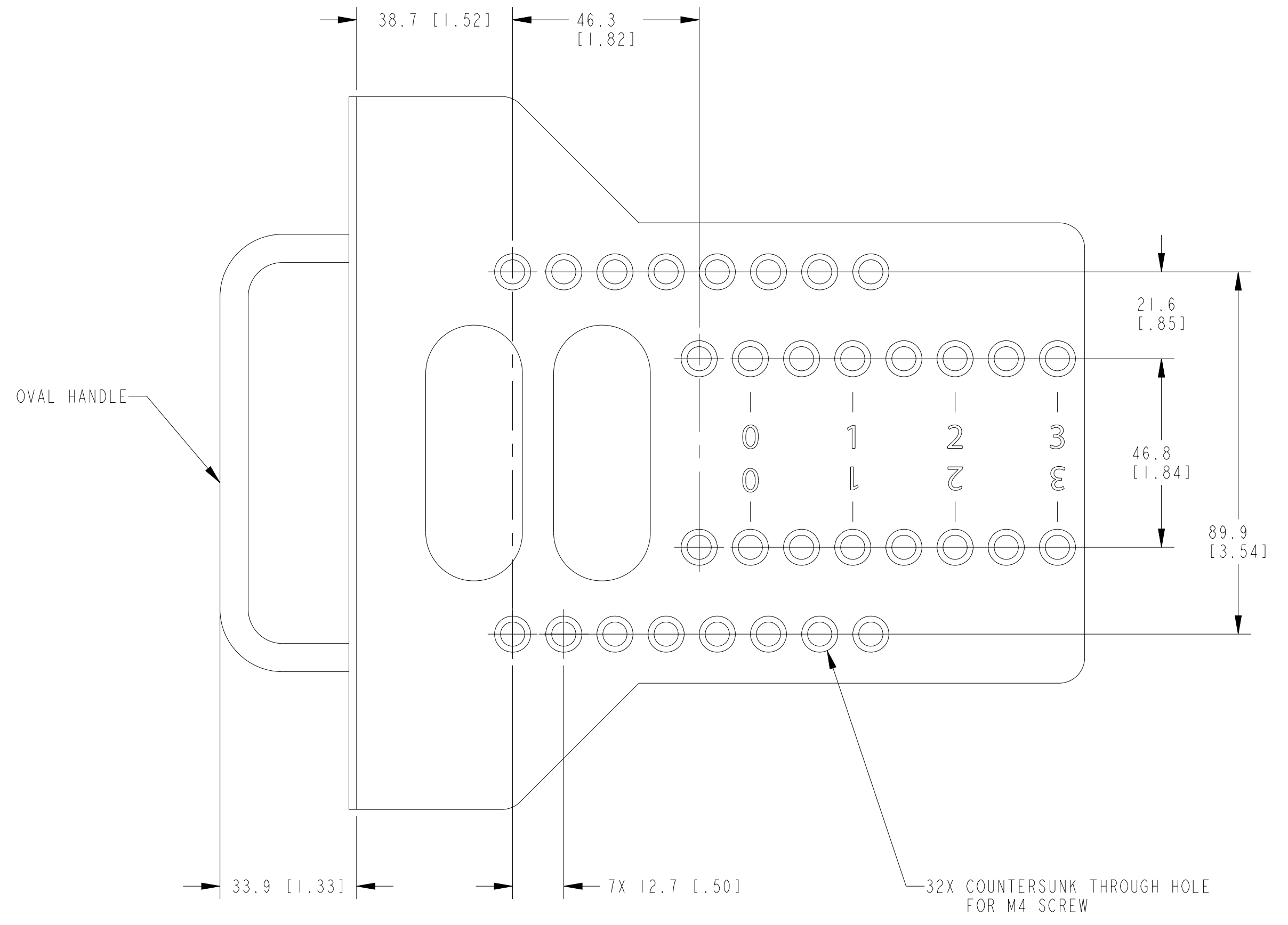
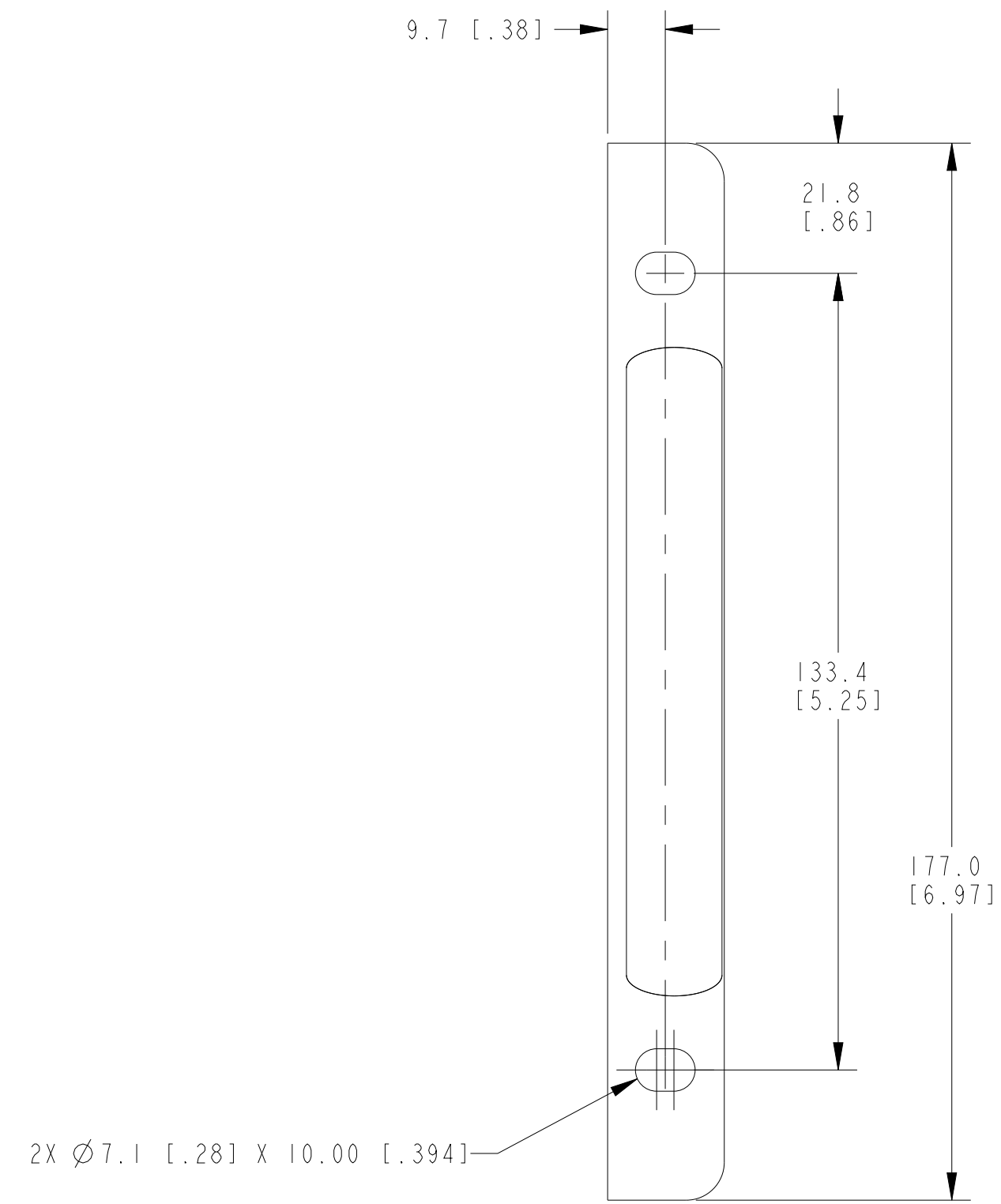
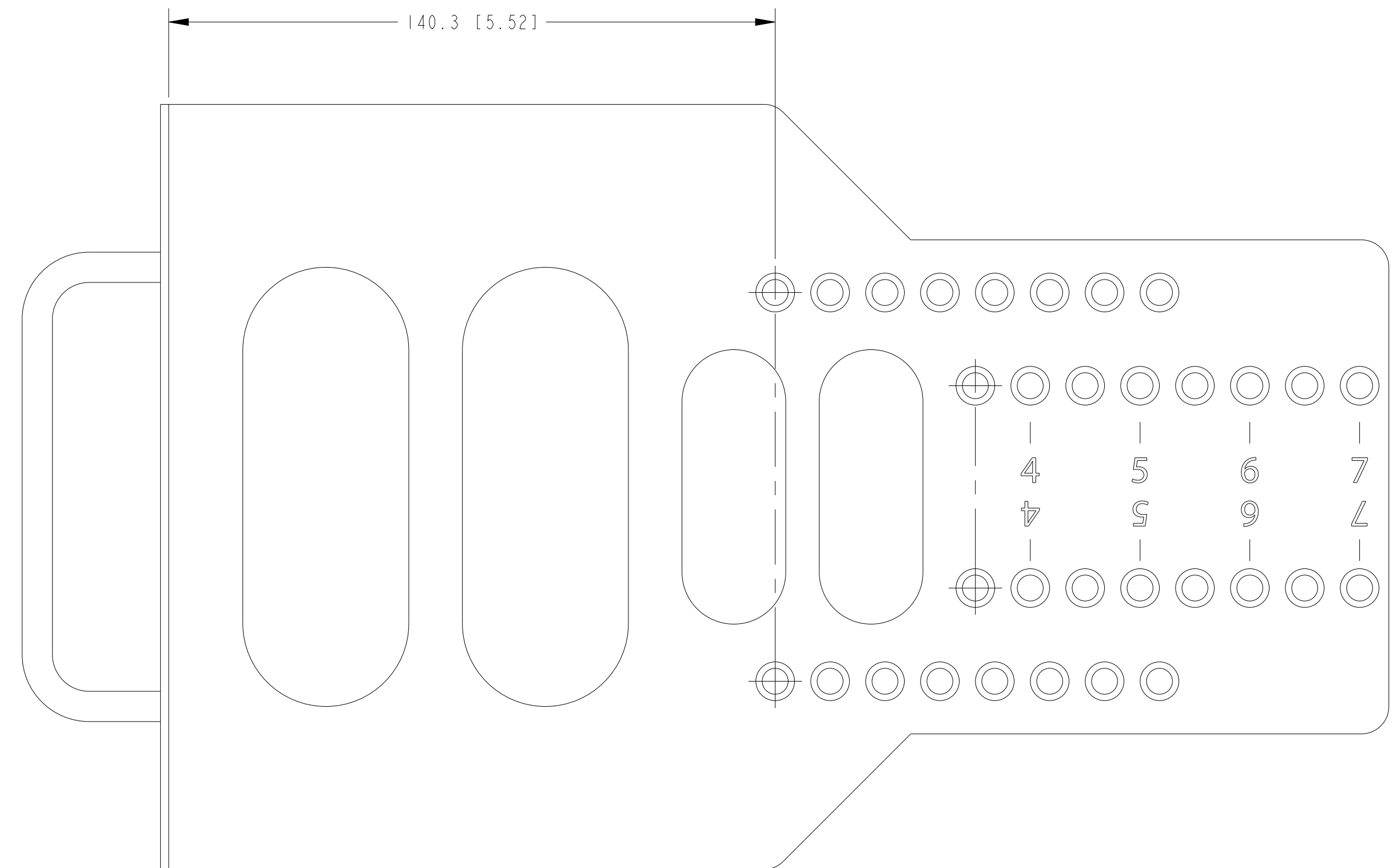
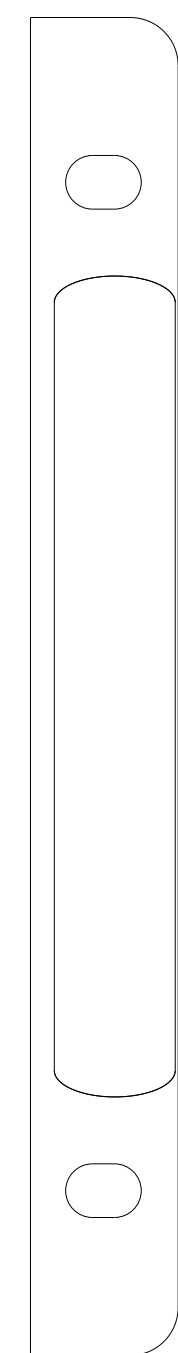


1. REFER TO PRODUCT MANUAL ON NI.COM FOR MORE DETAILS
 NOTES: UNLESS OTHERWISE SPECIFIED.

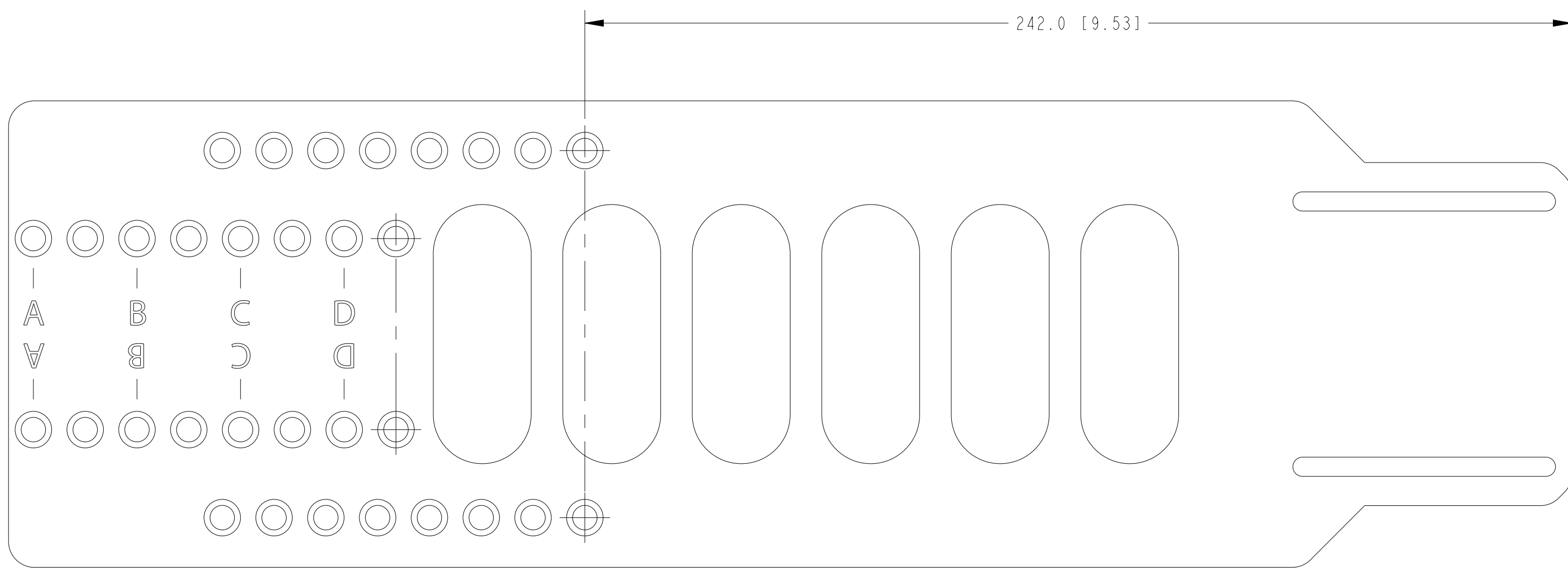
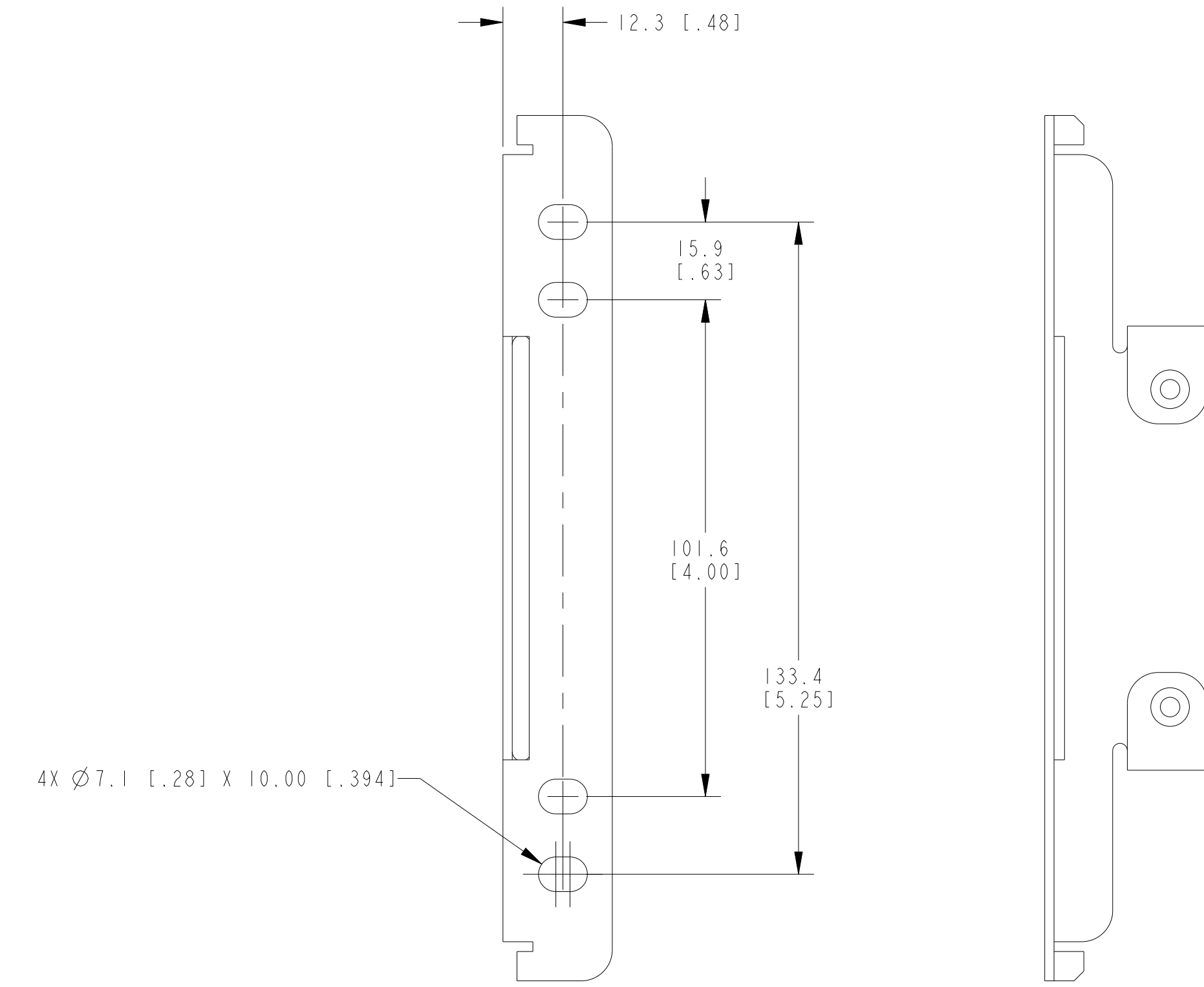
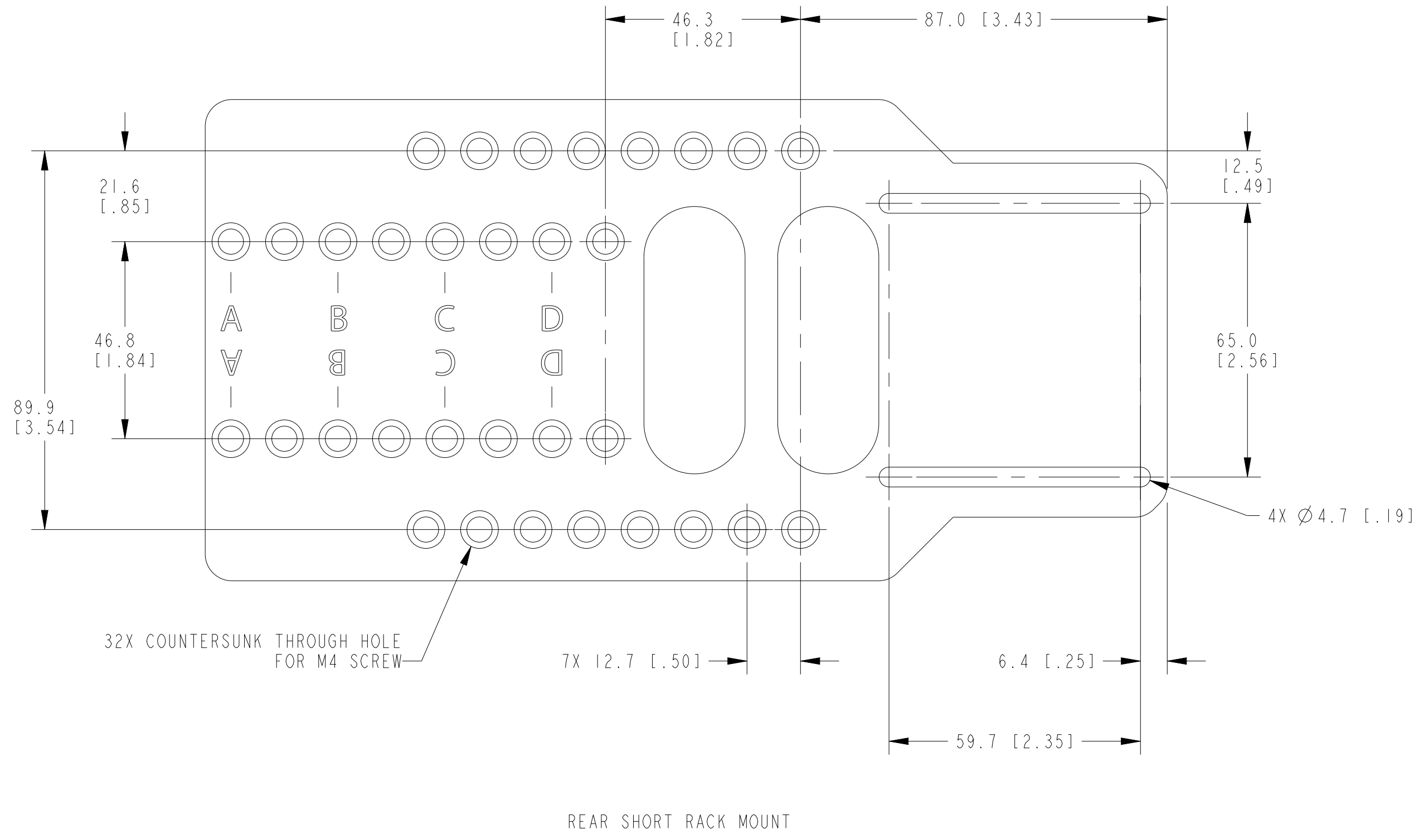
METRIC		CUSTOMER DRAWING	
UNLESS OTHERWISE SPECIFIED DIMENSIONS ARE IN MILLIMETERS AND INCHES		 NATIONAL INSTRUMENTS® AUSTIN, TEXAS	
DO NOT SCALE DRAWING THIRD ANGLE PROJECTION		TITLE CUSTOMER DRAWING, RACK MOUNT KIT, PXIe 18-SLOT CHASSIS	
		SIZE CODE IDENT NO. MM/DD/YYYY	SHEET 1 OF 3
SCALE: 1/2		D 7U296	05/17/2018
		CU-RACKMOUNT-PXIe-18SLOT	



FRONT SHORT RACK MOUNT



FRONT LONG RACK MOUNT
 SEE FRONT SHORT RACK MOUNT
 FOR ANY DIMENSIONS NOT SHOWN



REAR LONG RACK MOUNT
 SEE REAR SHORT RACK MOUNT
 FOR ANY DIMENSIONS NOT SHOWN