
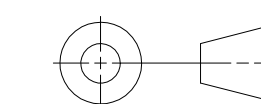


ITEM NO.	DESCRIPTION
1	ADJOINING FRONT BRACKET
2	ADJOINING REAR BRACKET
 3	6mmL T-10 TORX FLATHEAD SCREWS
4	RAIL MOUNT
5	SIDE MOUNT BRACKET
6	LONG SLIDE ARM
7	#10-32 X 1/2" RACK SCREW

METRIC

UNLESS OTHERWISE SPECIFIED
 DIMENSIONS ARE IN MILLIMETERS
 AND (INCHES)

DO NOT SCALE DRAWING
 THIRD ANGLE PROJECTION



 NI.COM
 AUSTIN, TEXAS

TITLE
 USRP X4XX RACK MOUNT
 ACCESSORY, 1U, 2 USRP X4XX
 DEVICES, SHOULDER TO SHOULDER

SIZE CODE IDENT NO. DRAWING NO.
 D 7U296 788147-01

SHEET 1 of 5

2. USRP X4XX RACK MOUNT PLATFORM ACCESSORY SUPPORTS RACK DEPTH EXPANSION OF: 18 - 25 INCHES [45.7 - 63.5 CENTIMETERS].

 FLATHEAD SCREWS (ITEM 3) SHALL BE TORQUED TO 6.7 in-lb (0.76 Nm).

NOTES: UNLESS OTHERWISE SPECIFIED.

8

7

6

5

4

3

2

1

© COPYRIGHT 2021, 2022
NATIONAL INSTRUMENTS CORPORATION. ALL RIGHTS RESERVED.

D

D

C

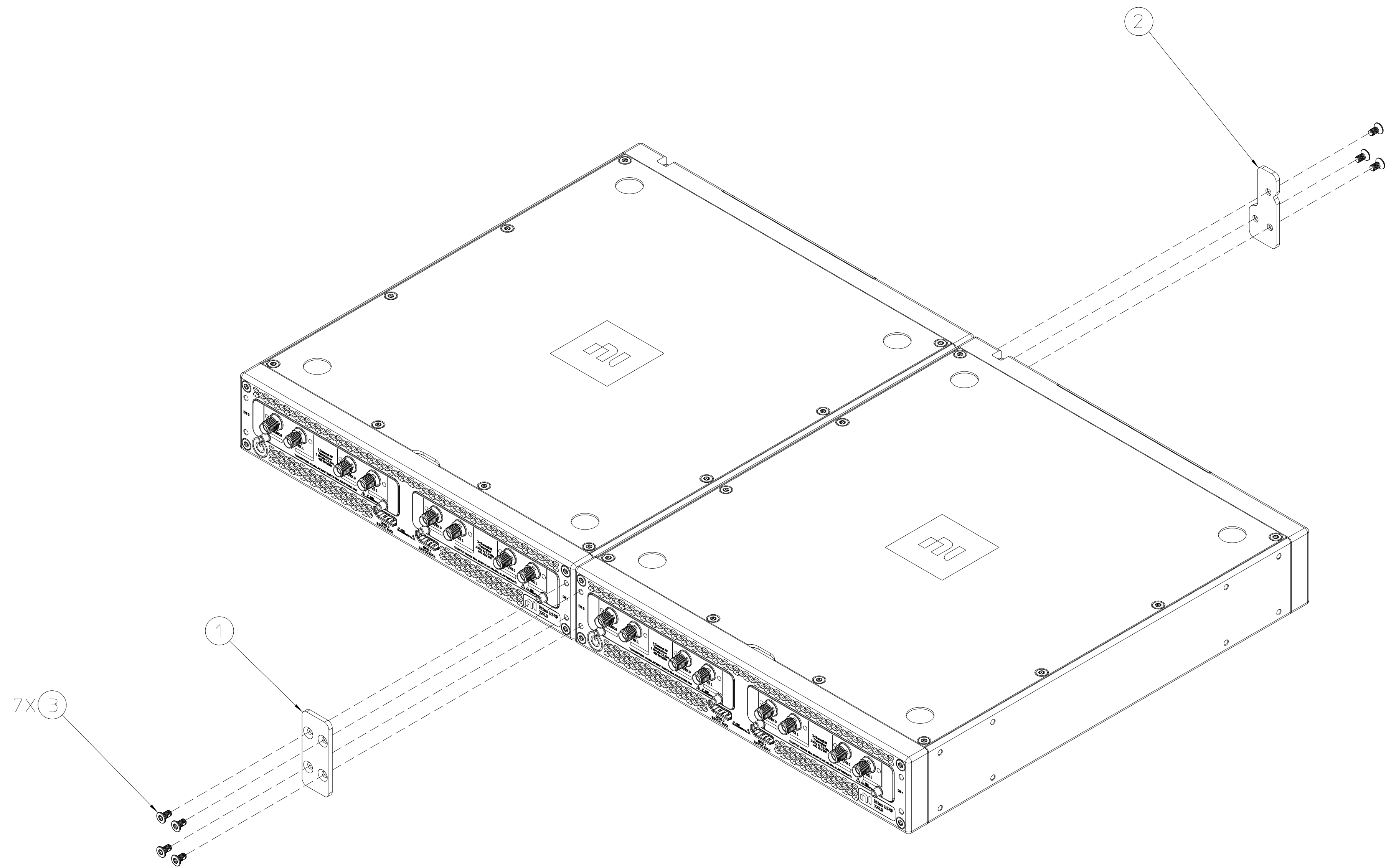
C

B

B

A

A



STEP 1: ADJOINING BRACKETS INSTALLATION

8

7

6

5

4

3

2

1

8

7

6

5

4

3

2

1

© COPYRIGHT 2021, 2022
NATIONAL INSTRUMENTS CORPORATION. ALL RIGHTS RESERVED.

D

D

C

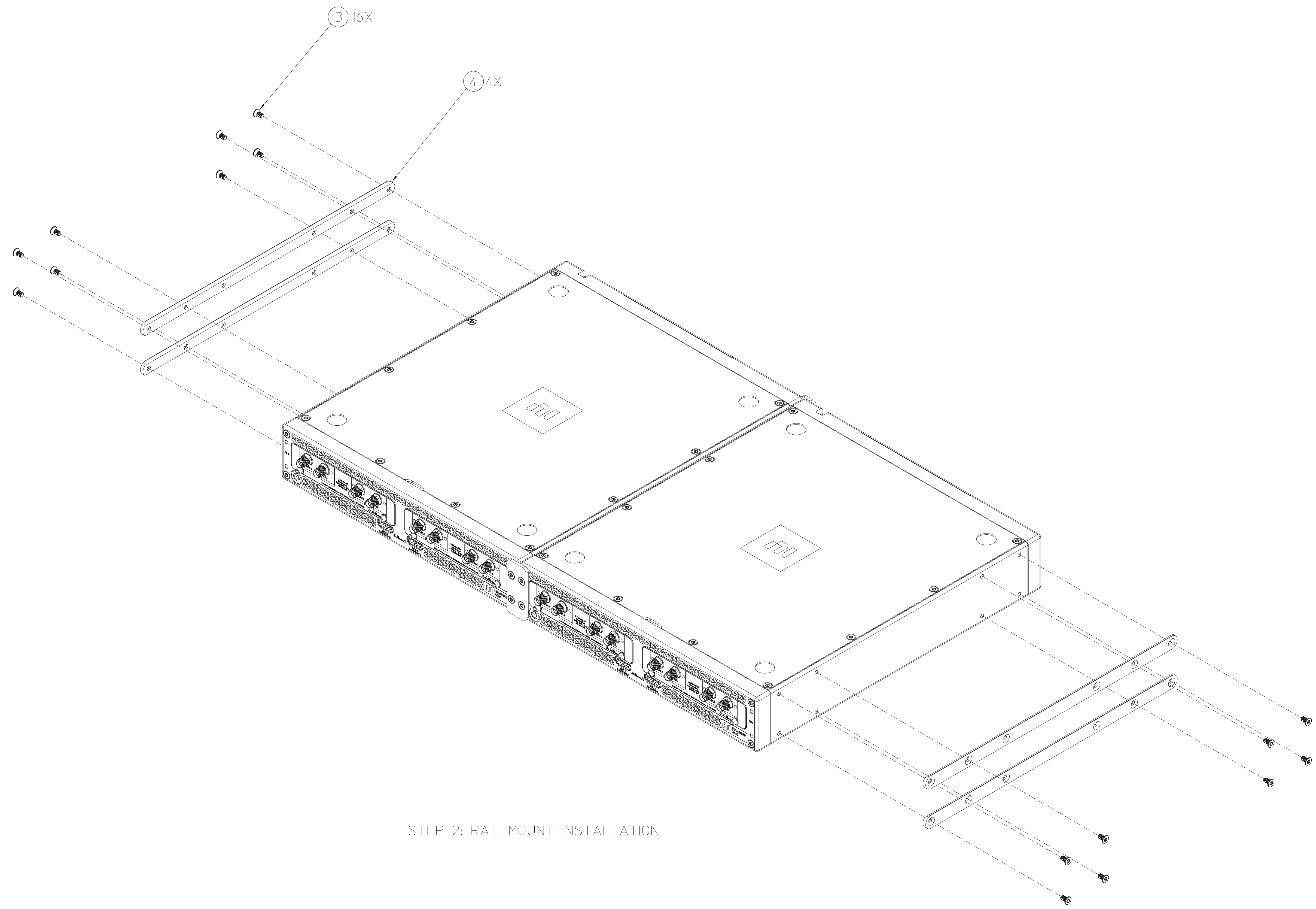
C

B

B

A

A



STEP 2: RAIL MOUNT INSTALLATION

8

7

6

5

4

3

2

1

8

7

6

5

4

3

2

1

© COPYRIGHT 2021, 2022
NATIONAL INSTRUMENTS CORPORATION. ALL RIGHTS RESERVED.

D

D

C

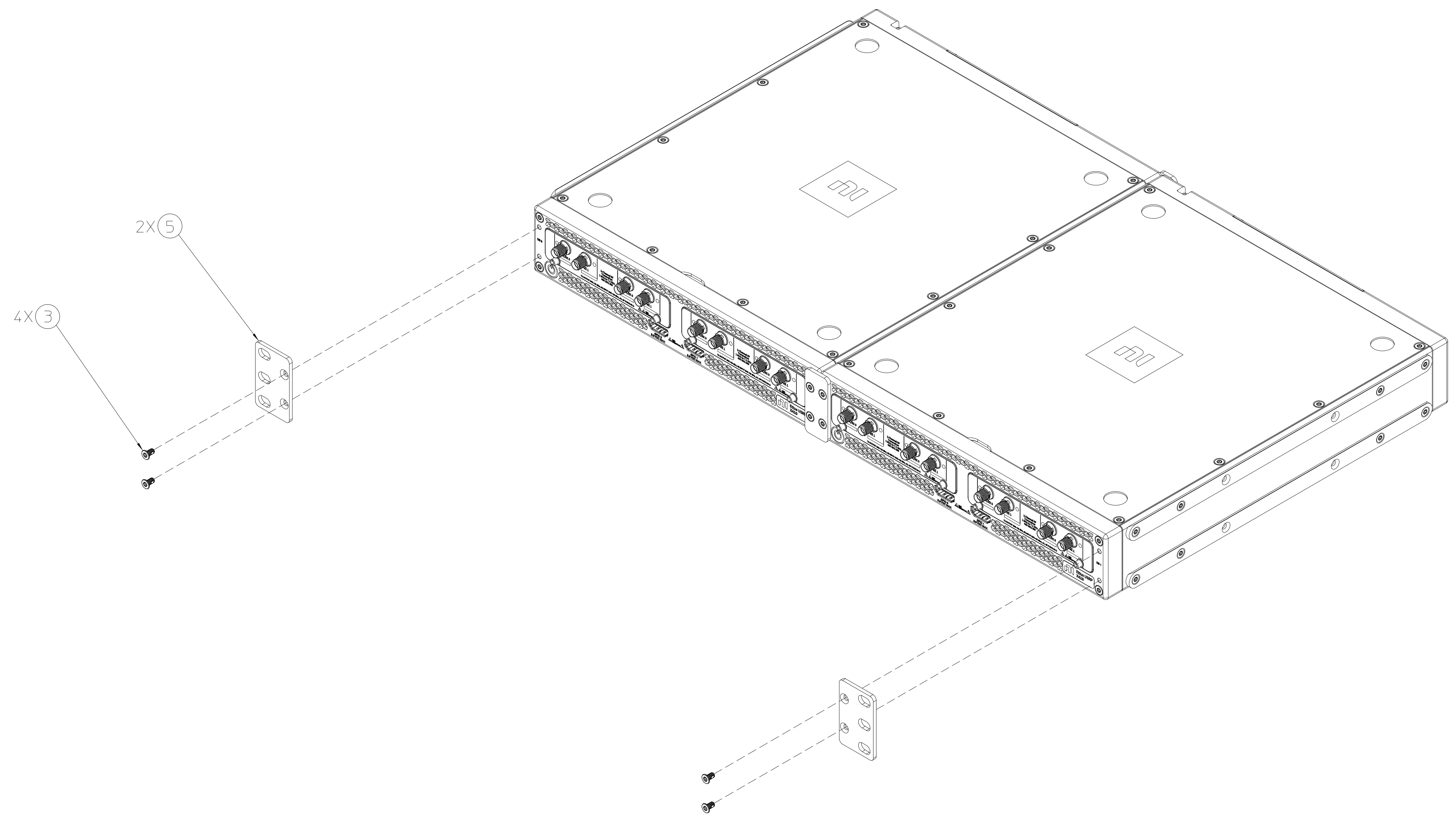
C

B

B

A

A



STEP 3: SIDE MOUNT INSTALLATION

8

7

6

5

4

3

2

1

8

7

6

5

4

3

2

1

© COPYRIGHT 2021, 2022
NATIONAL INSTRUMENTS CORPORATION. ALL RIGHTS RESERVED.

D

D

C

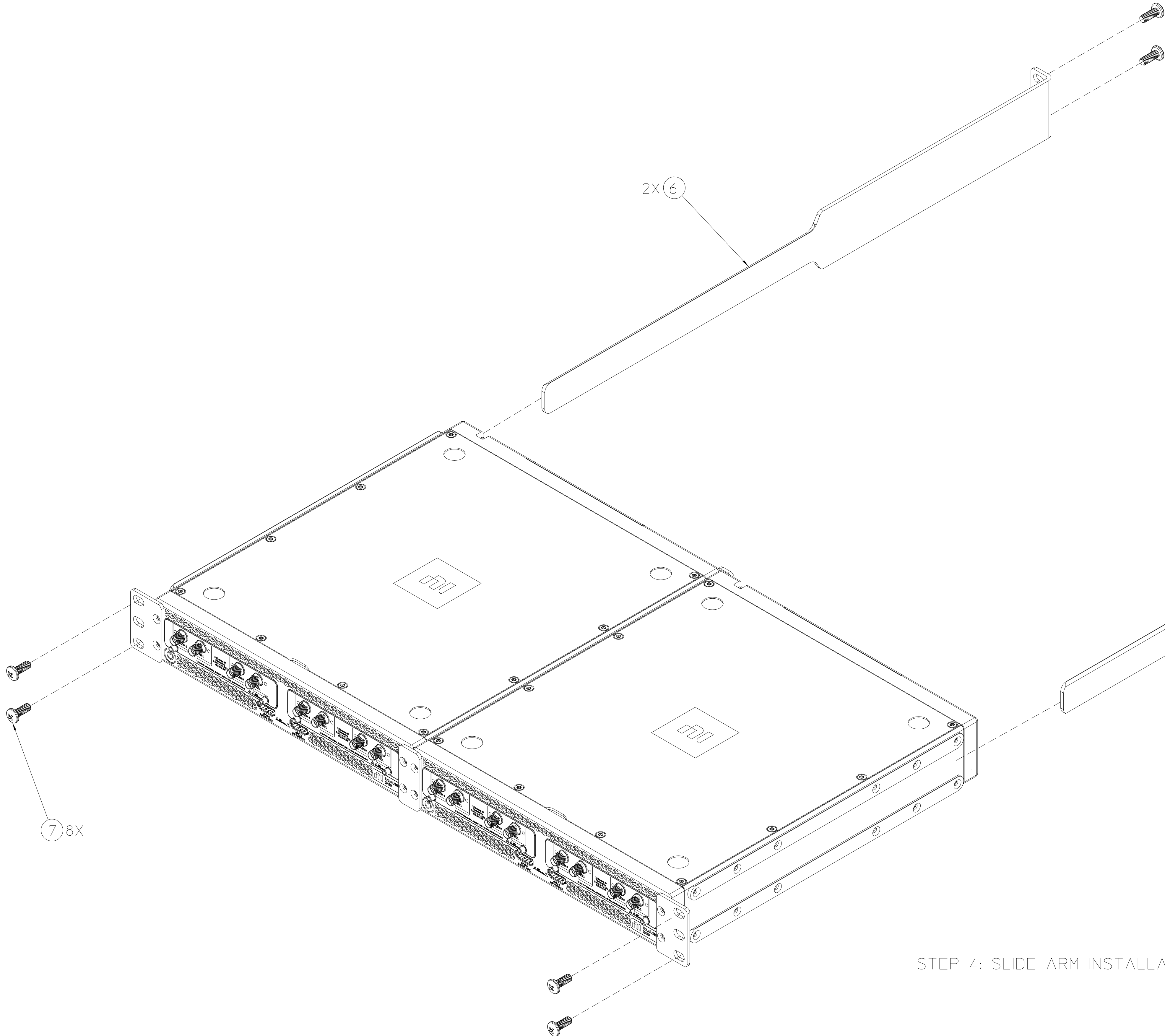
C

B

B

A

A



STEP 4: SLIDE ARM INSTALLATION

SIZE	CODE	IDENT NO.	DRAWING NO.
D	7U296		788147-01
			SHEET 5 OF 5

8

7

6

5

4

3

2

1