

## INSTALLATION GUIDE

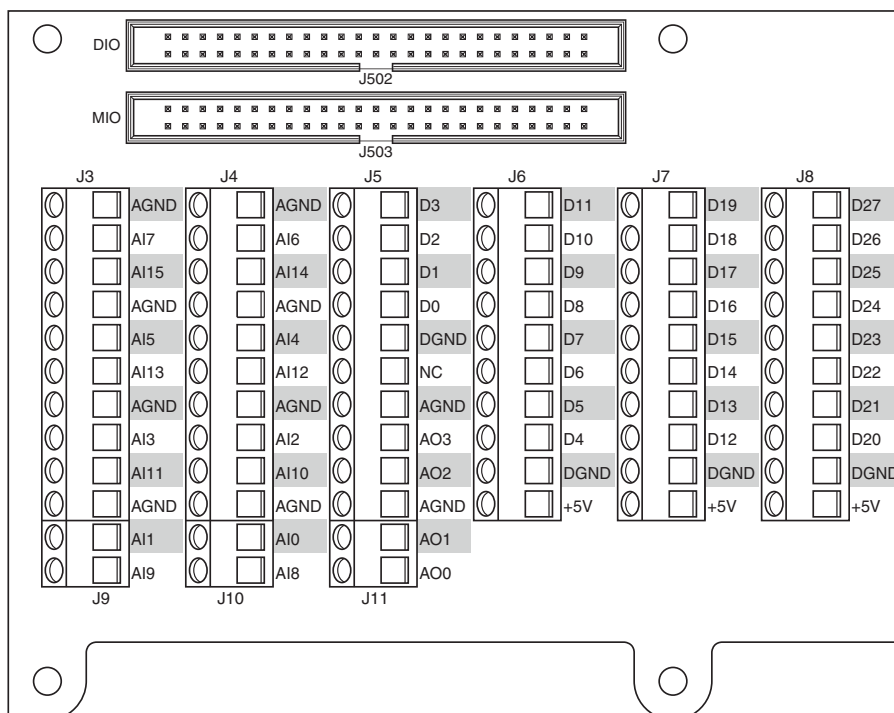
# IDC Breakout Board

## 2 mm IDC Breakout Board for Single-Board RIO Devices

This document contains installation instructions for the IDC Breakout Board for sbRIO.



**Caution** NI makes no product safety, electromagnetic compatibility (EMC), or CE marking compliance claims for NI sbRIO devices. The end-product supplier is responsible for conformity to any and all compliance requirements.



**Tip** For 2 mm IDC header pinouts, refer to the documentation for your Single-Board RIO device on [ni.com/manuals](https://ni.com/manuals).

## Installing the IDC Breakout Board

You can install the IDC breakout board directly to a Single-Board RIO device or to a Single-Board RIO/NI 9694 assembly.

## What to Use

- IDC breakout board
- 50-pin IDC cables
- Single-Board RIO device (user provided)
- NI 9694 (optional)
- Mounting hardware (user provided)



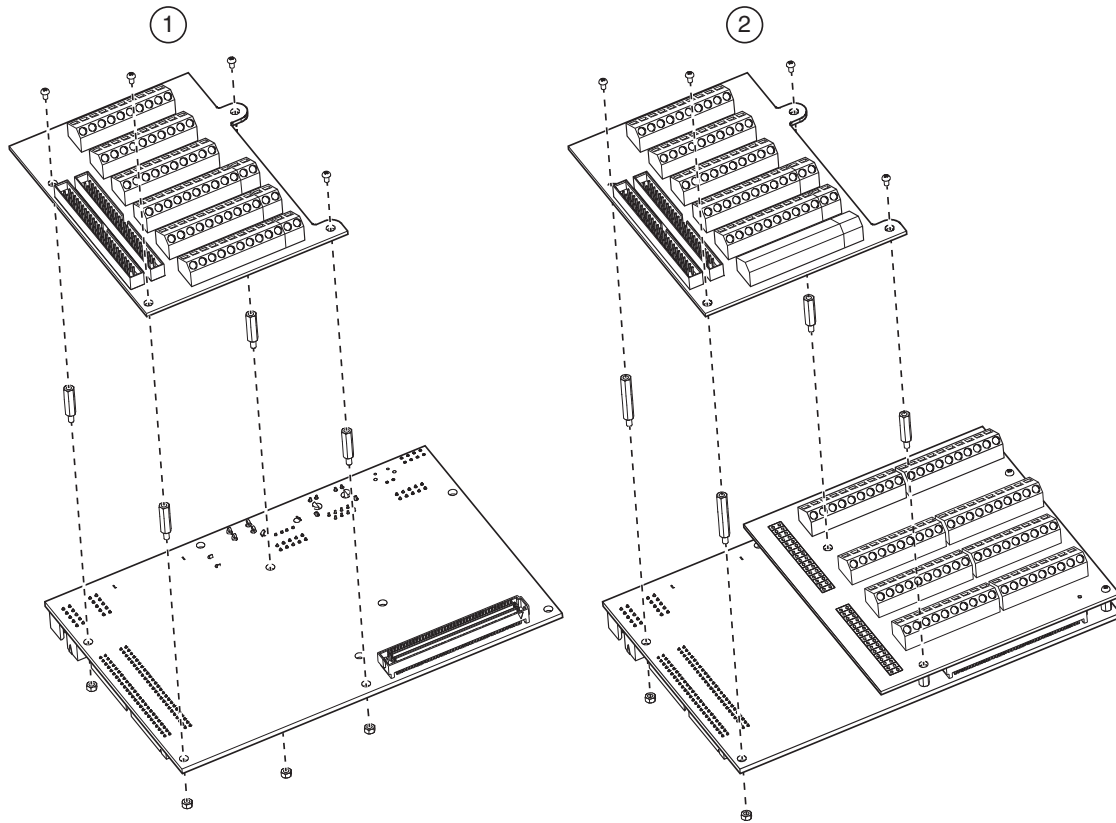
**Note** Mounting holes on the Single-Board RIO device are designed to accommodate M3 or 4-40 fasteners, and standoffs or bosses up to 4.5 mm or 3/16 in. in diameter.

## What to Do

Complete the following steps to install the IDC breakout board.

1. Align the devices and secure the assembly using the mounting hardware.

**Figure 1.** IDC Breakout Board Installation



1. Installing directly to a Single-Board RIO device.
  2. Installing to a Single-Board RIO device/NI 9694 assembly.
- 
2. Connect the MIO connector on the Single-Board RIO device to the MIO connector on the IDC breakout board and the DIO connector on the Single-Board RIO device to the DIO connector on the IDC breakout board using the 50-pin IDC cables.

Refer to the *NI Trademarks and Logo Guidelines* at [ni.com/trademarks](http://ni.com/trademarks) for information on National Instruments trademarks. Other product and company names mentioned herein are trademarks or trade names of their respective companies. For patents covering National Instruments products/technology, refer to the appropriate location: **Help»Patents** in your software, the `patents.txt` file on your media, or the *National Instruments Patent Notice* at [ni.com/patents](http://ni.com/patents). You can find information about end-user license agreements (EULAs) and third-party legal notices in the readme file for your NI product. Refer to the *Export Compliance Information* at [ni.com/legal/export-compliance](http://ni.com/legal/export-compliance) for the National Instruments global trade compliance policy and how to obtain relevant HTS codes, ECCNs, and other import/export data. NI MAKES NO EXPRESS OR IMPLIED WARRANTIES AS TO THE ACCURACY OF THE INFORMATION CONTAINED HEREIN AND SHALL NOT BE LIABLE FOR ANY ERRORS. U.S. Government Customers: The data contained in this manual was developed at private expense and is subject to the applicable limited rights and restricted data rights as set forth in FAR 52.227-14, DFAR 252.227-7014, and DFAR 252.227-7015.

© 2015 National Instruments. All rights reserved.