
PXle-1082DC Specifications

2023-09-14



Contents

PXIe-1082DC Specifications..... 3

PXIe-1082DC Specifications

This document contains specifications for the PXIe-1082DC chassis.



Caution Specifications are subject to change without notice.

Electrical

The following section provides information about the PXIe-1082DC AC input and DC output.

DC Input

Input voltage range	11 to 32 VDC
Input current rating	45 to 15 A
Over-current protection	50 A circuit breaker
Line regulation	
3.3 V	<±0.2%
5 V	<±0.1%
±12 V	<±0.1%
Efficiency	65% typical
Power disconnect	The DC power cable provides main power disconnect. Do not position the equipment so that it is difficult to disconnect the power cord. The front panel power switch causes the internal chassis power supply to provide

DC power to the CompactPCI/PXI Express backplane. You also can use the rear-panel D-SUB 9-pin connector and power mode switch to control the internal chassis power supply.



Caution Use the DC power cable provided with DC power supplies for VDC input.



Caution Using the PXIe-1082DC in a manner not described in this document may impair the protection the PXIe-1082DC provides.

DC Output

Table 1. DC current capacity (I_{mp})

Voltage	Maximum Current
+3.3 V	32 A
+5 V	19 A
+12 V	32 A
-12 V	1.5 A
5 V _{AUX}	2.0 A



Note Maximum total usable power is 315 W.

Table 2. Backplane slot current capacity

Slot	+5 V	V (I/O)	+3.3 V	+12 V	-12 V	5 V _{AUX}
System Controller Slot	15 A	-	15 A	30 A	-	1 A
System Timing Slot	-	-	6 A	4 A	-	1 A
Hybrid Peripheral	6 A	5 A	6 A	1 A	1 A	-

Slot	+5 V	V (I/O)	+3.3 V	+12 V	-12 V	5 V _{AUX}
Slot with PXI-1 Peripheral						
Hybrid Peripheral Slot with PXI-5 Peripheral	-	-	6 A	4 A	-	1 A



Note The maximum power dissipated in the system slot should not exceed 140 W.
The maximum power dissipated in a peripheral slot should not exceed 38.25 W.

Table 3. Load regulation

Voltage	Load Regulation
+3.3 V	<5%
+12 V	<5%
+5 V	<5%
-12 V	<5%

Table 4. Maximum ripple and noise (20 MHz bandwidth)

Voltage	Maximum Ripple and Noise
+3.3 V	50 mV _{pp}
+12 V	120 mV _{pp}
+5 V	50 mV _{pp}
-12 V	50 mV _{pp}
Over-current protection	All outputs protected from short circuit and overload (some faults require a power cycle for recovery)
Over-voltage protection	

3.3 V and 5 V	Clamped at 20% to 30% above nominal output voltage
Power supply shuttle MTTR	Replacement in under 5 minutes

Chassis Cooling

Module cooling system	Forced air circulation (positive pressurization) through two 110 cfm fans with High/Auto speed selector
Slot airflow direction	Bottom of module to top of module
Module cooling intake	Bottom rear of chassis
Module cooling exhaust	Along both sides and top of chassis
Power supply cooling system	Forced air circulation through integrated fan
Power supply cooling intake	Right side of chassis
Power supply cooling exhaust	Left side of chassis

Environmental

Maximum altitude	4,600 m (570 mbar) (at 25 °C ambient)
Measurement Category	1
Pollution Degree	2

Indoor use only.



Note Measurement Categories CAT I and CAT O (Other) are equivalent. The input circuits are not intended for direct connection to the MAINS building installations of Categories CAT II, CAT III, or CAT IV.

Operating Environment

Ambient temperature range	0 °C to 55 °C (Tested in accordance with IEC-60068-2-1 and IEC-60068-2-2. Meets MIL-PRF-28800F Class 3 low temperature limit and MIL-PRF-28800F Class 2 high temperature limit.)
Relative humidity range	10% to 90%, noncondensing (Tested in accordance with IEC-60068-2-56.)

Storage Environment

Ambient temperature range	-40 °C to 71 °C (Tested in accordance with IEC-60068-2-1 and IEC-60068-2-2. Meets MIL-PRF-28800F Class 3 limits.)
Relative humidity range	5% to 95%, noncondensing (Tested in accordance with IEC-60068-2-56.)

Shock and Vibration

Operational shock	30 g peak, half-sine, 11 ms pulse (Tested in accordance with IEC-60068-2-27. Meets MIL-PRF-28800F Class 2 limits.)
Random Vibration Operating	5 to 500 Hz, 0.3 g _{rms}
Nonoperating	5 to 500 Hz, 2.4 g _{rms} (Tested in accordance with IEC-60068-2-64. Nonoperating test profile)

	exceeds the requirements of MIL-PRF-28800F, Class 3.)
--	---

Sound Pressure Level (at Operator Position)

(Tested in accordance with ISO 7779. Meets MIL-PRF-28800F requirements.)

Auto fan (up to ~30 °C ambient)	48.7 dBA
High fan	61.6 dBA

Sound Power

Auto fan (up to ~30 °C ambient)	57.7 dBA
High fan	72.5 dBA

Safety Compliance Standards

This product is designed to meet the requirements of the following electrical equipment safety standards for measurement, control, and laboratory use:

- IEC 61010-1, EN 61010-1
- UL 61010-1, CSA C22.2 No. 61010-1



Note For safety certifications, refer to the product label or the [Product Certifications and Declarations](#) section.

Electromagnetic Compatibility

This product meets the requirements of the following EMC standards for electrical equipment for measurement, control, and laboratory use:

- EN 61326 (IEC 61326): Class A emissions; Basic immunity
- EN 55011 (CISPR 11): Group 1, Class A emissions
- AS/NZS CISPR 11: Group 1, Class A emissions
- FCC 47 CFR Part 15B: Class A emissions
- ICES-001: Class A emissions



Note For the standards applied to assess the EMC of this product, refer to the **Online Product Certification** section.



Note For EMC compliance, operate this device with shielded cabling.

CE Compliance

This product meets the essential requirements of applicable European Directives, as follows:

- 2014/35/EU; Low-Voltage Directive (safety)
- 2014/30/EU; Electromagnetic Compatibility Directive (EMC)
- 2011/65/EU; Restriction of Hazardous Substances (RoHS)
- 2014/53/EU; Radio Equipment Directive (RED)
- 2014/34/EU; Potentially Explosive Atmospheres (ATEX)

Product Certifications and Declarations

Refer to the product Declaration of Conformity (DoC) for additional regulatory compliance information. To obtain product certifications and the DoC for NI products, visit ni.com/product-certifications, search by model number, and click the appropriate link.

Environmental Management

NI is committed to designing and manufacturing products in an environmentally responsible manner. NI recognizes that eliminating certain hazardous substances from our products is beneficial to the environment and to NI customers.

For additional environmental information, refer to the **Engineering a Healthy Planet** web page at ni.com/environment. This page contains the environmental regulations and directives with which NI complies, as well as other environmental information not included in this document.

EU and UK Customers

- **Waste Electrical and Electronic Equipment (WEEE)**—At the end of the product life cycle, all NI products must be disposed of according to local laws and regulations. For more information about how to recycle NI products in your region, visit ni.com/environment/weee.

Backplane

Size	3U-sized; one system slot (with three system expansion slots) and 7 peripheral slots. Compliant with IEEE 1101.10 mechanical packaging. PXI Express Specification compliant. Accepts both PXI Express and CompactPCI (PICMG 2.0 R 3.0) 3U modules.
Backplane bare-board material	UL 94 V-0 Recognized
Backplane connectors	Conforms to IEC 917 and IEC 1076-4-101, UL 94 V-0 rated

System Synchronization Clocks (PXI_CLK10, PXIe_CLK100, PXIe_SYNC100)

10 MHz System Reference Clock: PXI_CLK10

Maximum slot-to-slot skew	500 ps
Accuracy	±25 ppm max (guaranteed over the operating temperature range)
Maximum jitter	5 ps RMS phase-jitter (10 Hz–1 MHz range)
Duty-factor	45% to 55%
Unloaded signal swing	3.3 V ±0.3 V



Note For other specifications, refer to the **PXI-1 Hardware Specification**.

100 MHz System Reference Clock: PXIe_CLK100 and PXIe_SYNC100

Maximum slot-to-slot skew	100 ps
Accuracy	±25 ppm max (guaranteed over the operating temperature range)
Maximum jitter	3 ps RMS phase-jitter (10 Hz to 12 kHz range), 2 ps RMS phase-jitter (12 kHz to 20 MHz range)
Duty-factor for PXIe_CLK100	45% to 55%

Absolute differential voltage (When terminated with a 50 Ω load to 1.30 V or Thévenin equivalent)	400 to 1000 mV
--	----------------



Note For other specifications, refer to the **PXI-5 PXI Express Hardware Specification**

External 10 MHz Reference Out

(BNC on rear panel of chassis)

Accuracy	± 25 ppm max (guaranteed over the operating temperature range)
Maximum jitter	5 ps RMS phase-jitter (10 Hz to 1 MHz range)
Output amplitude	1 V _{PP} $\pm 20\%$ square-wave into 50 Ω , 2 V _{PP} unloaded
Output impedance	50 Ω ± 5 Ω

External Clock Source

Frequency	10 MHz ± 100 ppm
Input amplitude	
Rear panel BNC	200 mV _{PP} to 5 V _{PP} square-wave or sine-wave
System timing slot PXI_CLK10_IN	5 V or 3.3 V TTL signal
Rear panel BNC input impedance	50 Ω ± 5 Ω

Maximum jitter introduced by backplane	1 ps RMS phase-jitter (10 Hz to 1 MHz range)
--	--

PXIe_SYNC_CTRL

V _{IH}	2.0 to 5.5 V
V _{IL}	0 to 0.8 V

PXI Star Trigger

Maximum slot-to-slot skew	250 ps
Backplane characteristic impedance	65 Ω ±10%

For other specifications, refer to the **PXI-1 Hardware Specification**.

PXI Differential Star Triggers

(PXIe-DSTARA, PXIe-DSTARB, PXIe-DSTARC)

Maximum slot-to-slot skew	150 ps
Maximum differential skew	25 ps
Backplane differential impedance	100 Ω ±10%

For other specifications, the PXIe-1082DC complies with the **PXI-5 PXI Express Hardware Specification**.

Mechanical

Standard chassis dimensions	
Height	6.97 in. (177.1 mm)
Width	10.68 in. (271.4 mm)
Depth	15.61 in. (396.5 mm)
Weight	19.4 lb (8.8 kg)
Chassis materials	Sheet Aluminum (5052-H32, 3003-H14, and 6061-T6), Extruded Aluminum (6060-T6), and Cold Rolled Steel, PC-ABS, Santoprene, Nylon
Finish	Conductive Clear Iridite on Aluminum, Clear Chromate Zinc Plating on Cold Rolled Steel, Polyurethane Enamel

The following figures show the PXIe-1082DC chassis dimensions. The holes shown are for the installation of the optional rack mount kits. You can install those kits on the front or rear of the chassis, depending on which end of the chassis you want to face toward the front of the instrument cabinet. Notice that the front and rear chassis mounting holes (size M4) are symmetrical.

Figure 1. PXIe-1082DC Chassis Dimensions (Front and Side)

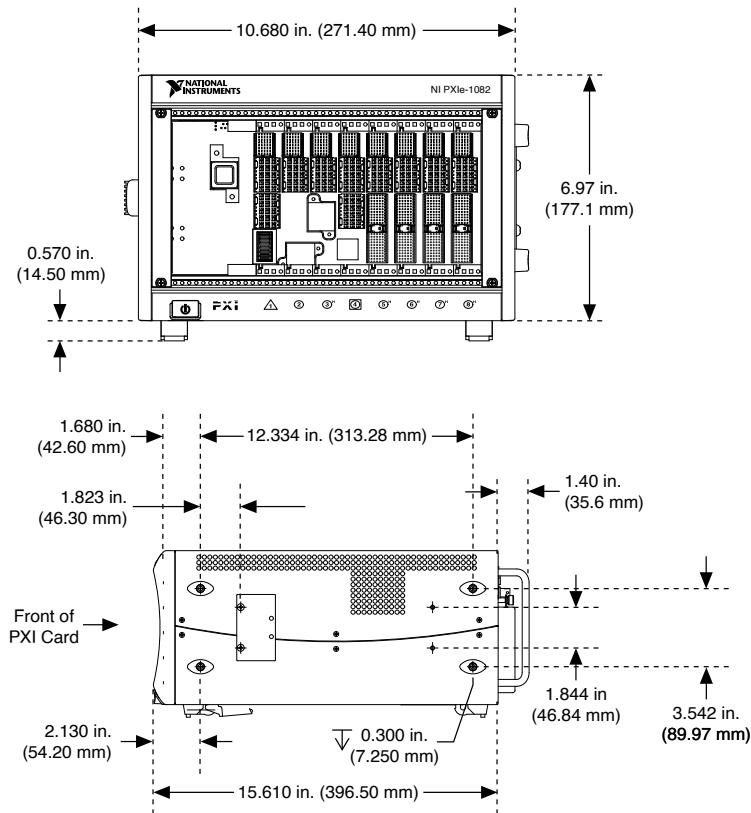


Figure 1. PXIe-1082DC Chassis Dimensions (Bottom)

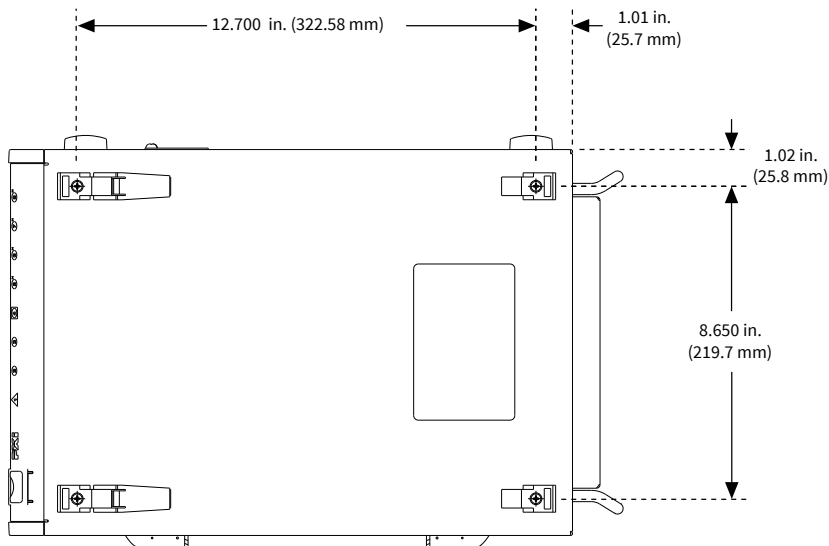
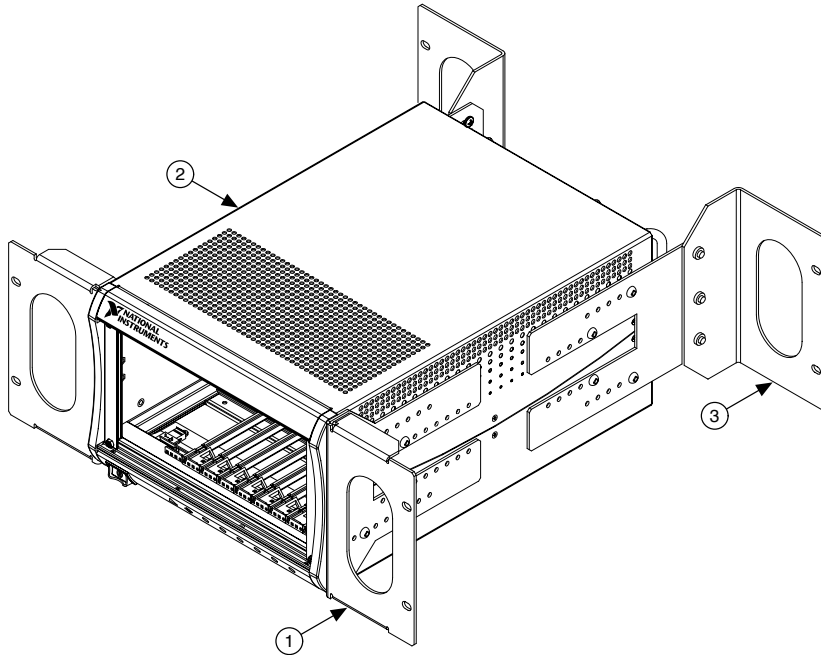


Figure 3. NI Chassis Rack Mount Kit Components

1. Front Rack Mount Kit
2. PXIe-1082DC Chassis
3. Rear Rack Mount Kit